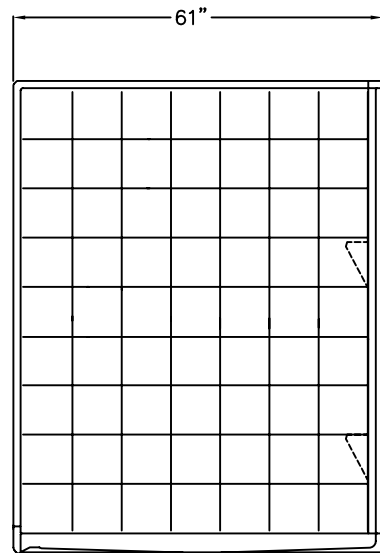


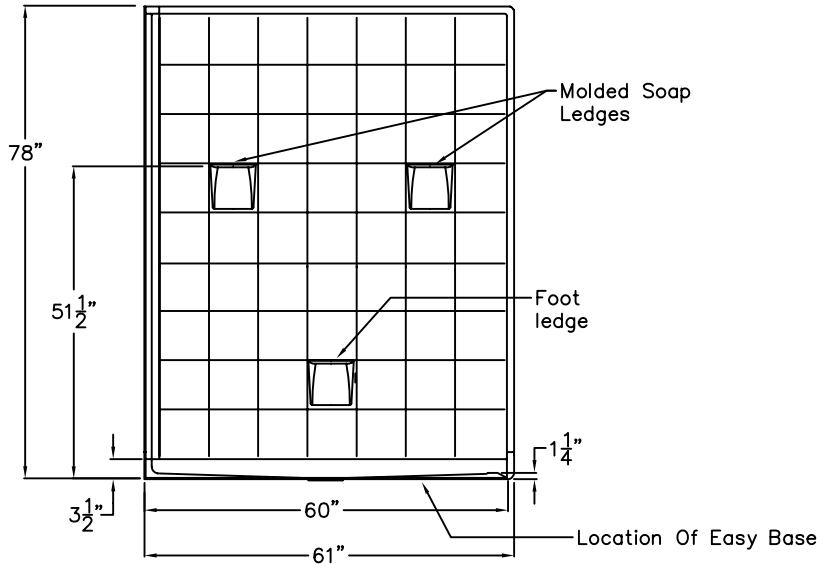
Comfort Series

SUBMITTAL DATA

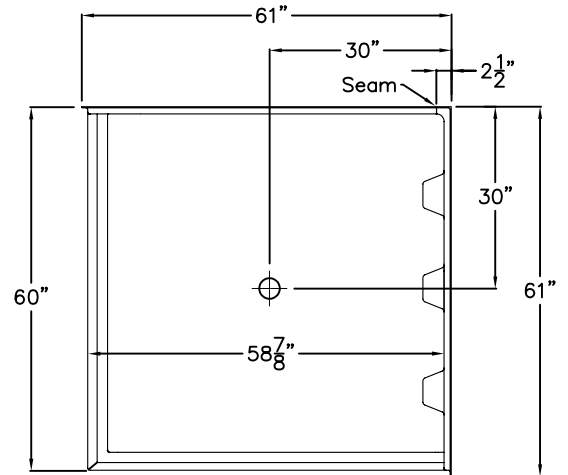
FLAT WALL



WALL WITH SOAP DISHES



TOP VIEW

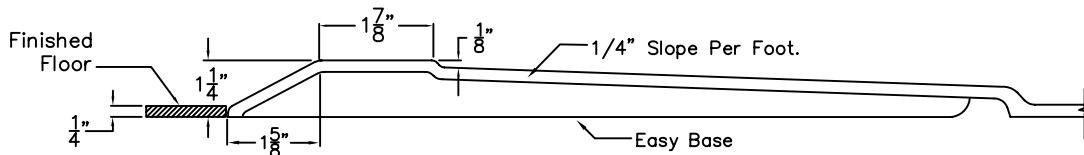


Sectional Shower Stall

The shower enclosure shall be MP 6060 BF 3P 1.25, center drain. Finished surface shall be of a sanitary-grade polyester Gelcoat exhibiting a minimal thickness of 15 dry mils, and a finished cured Barcol hardness of 80-90 as tested with ASTM D-2583. Unit construction shall be of molded reinforced fiberglass with a 15% minimum fiberglass content. The unit shall have outside dimensions of 61" x 61" x 78". The three piece unit shall meet ANSI Z124.2, NAHB, UPC, and shall meet the requirements of Southern Building Code, and complies with CSA. Unit is designed as a corner unit, with two walls and a base with entry threshold on two sides.

The enclosure shall be equipped with the following installed accessories:

- 1) 1/2" thick oriented strand board full wood backing on the back wall,
- 2) 1/2" thick oriented strand board full wood backing on the side wall,
- 3) two molded soap dishes, 4) one lower leg ledge centered on back wall,
- 5) tile finish, 6) three piece corner design, 7) 1 1/4" Threshold, 8) Factory installed Easy Base self sustaining bottom.



Cross Section Threshold Detail

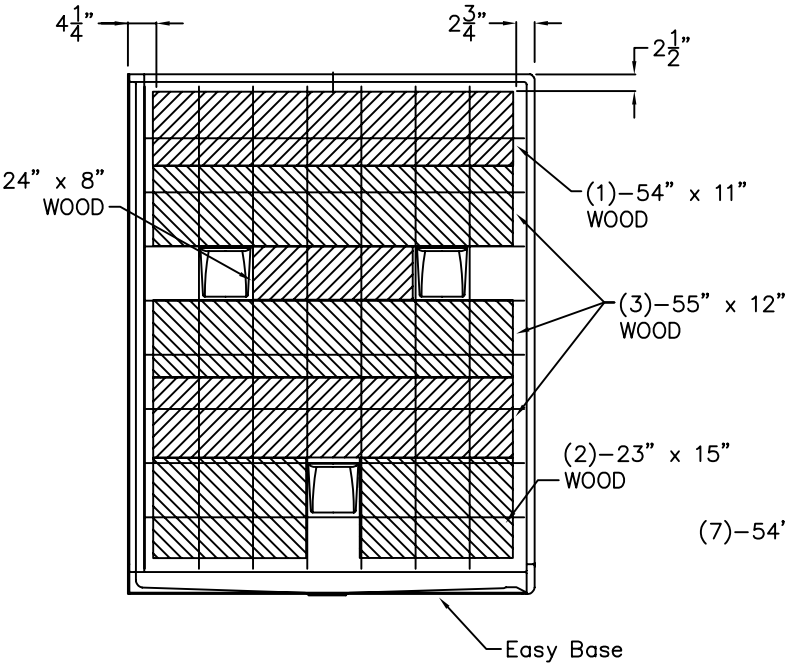
DUE TO THE NATURE OF THE MATERIALS INVOLVED
UNIT DIMENSIONS MAY VARY ± 1/2 INCH

Job Name:	HAMILTON		
Model No.:	Drawing#: MP 6060 BF 3P 1.25 FWB Easy Base		
Approved by:	Date Approved:	Date: 3-31-09	Revised: 12-9-10
Rep.:	Wholesaler:	Quote No.	

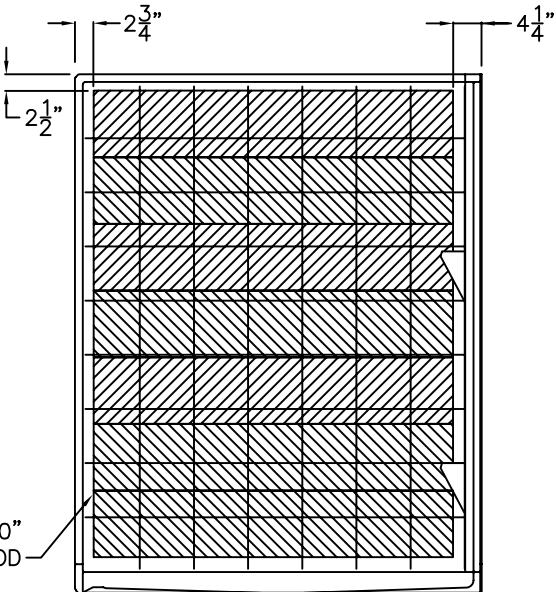
Board Placement Drawing

SUBMITTAL DATA

WALL WITH SOAP DISHES



FLAT VALVE WALL



DUE TO THE NATURE OF THE MATERIALS INVOLVED
UNIT DIMENSIONS MAY VARY ± 1/2 INCH

Job Name:	HAMILTON
Model No.:	Drawing#: MP 6060 BF 3P 1.25 FWB Easy Base-BP
Approved by:	Date: 3-31-09 Revised: 12-9-10
Rep.:	Quote No.:

PRAXIS INDUSTRIES, INC.
ROUTE 1, BOX 46D - SAVANNAH, TN 38372
1 (800) 443-7269 - FAX (901) 925-4290