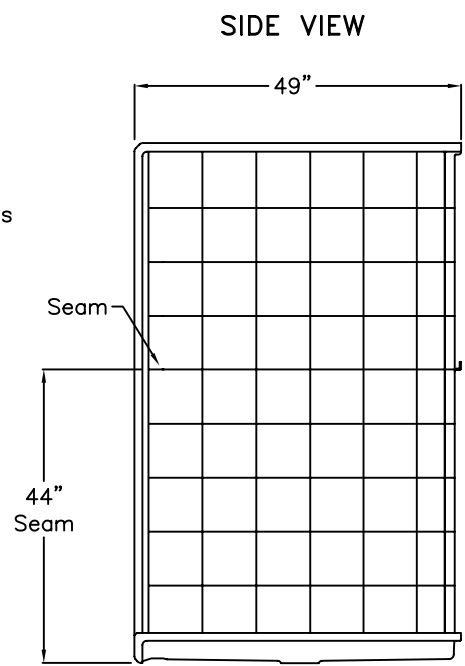
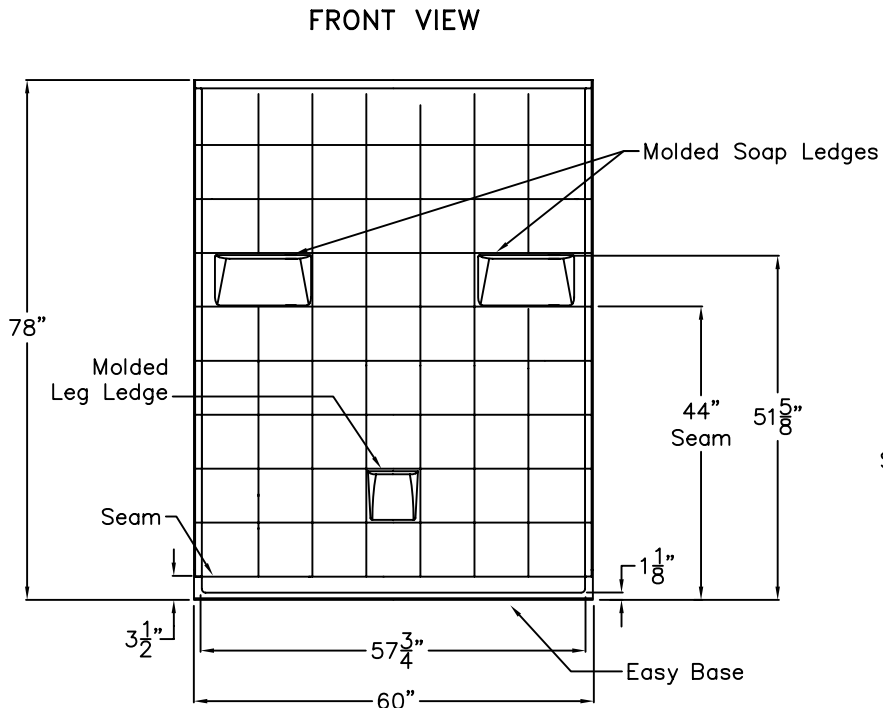


# Comfort Series

## SUBMITTAL DATA



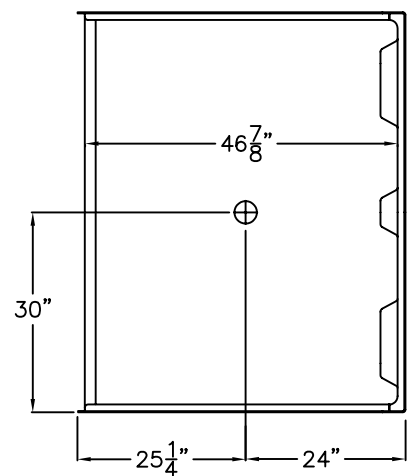
### Sectional Shower Stall

The shower enclosure shall be MP6048 BF 5P 1.125, center drain. Finished surface shall be of a sanitary-grade polyester Gelcoat exhibiting a minimal thickness of 15 dry mils, and a finished cured Barcol hardness of 80-90 as tested with ASTM D-2583. Unit construction shall be of molded reinforced fiberglass with a minimum fiberglass content. The unit shall have outside dimensions of 60" x 49" x 78". The four piece unit shall meet ANSI Z124.2, NAHB, UPC, and shall meet the requirements of Southern Building Code.

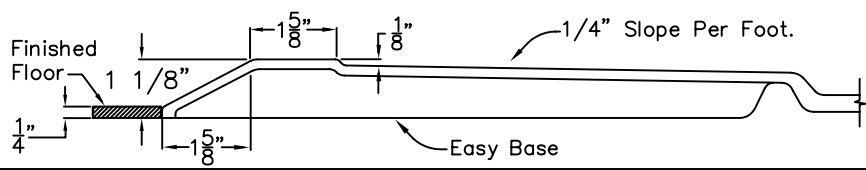
The enclosure shall be equipped with the following installed accessories:

- 1) 1/2" thick oriented strand board full wood backing on the back wall,
- 2) 1/2" thick oriented strand board full wood backing on both side walls,
- 3) two molded soap ledges,
- 4) one lower leg ledge centered on back wall,
- 5) tile finish,
- 6) four piece design,
- 7) Easy Base self sustaining threshold.

### TOP VIEW



### Detail of 1 1/8" Threshold



DUE TO THE NATURE OF THE MATERIALS INVOLVED  
UNIT DIMENSIONS MAY VARY ± 1/2 INCH

**HAMILTON**

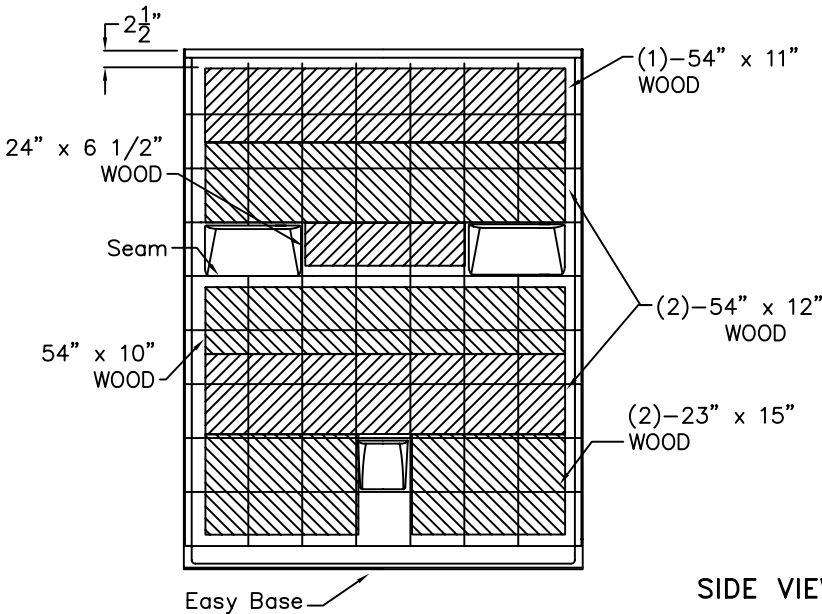
Model No.:		Drawing#: MP 6048 BF 5P 1.125 FWB Easy Base	
Approved by:	Date Approved:	Date: 3-31-09	Revised: 5-24-10
Rep.:	Wholesaler:	Quote No.	

PRAXIS INDUSTRIES, INC.  
ROUTE 1, BOX 46D - SAVANNAH, TN 38372  
1 (800) 443-7269 - FAX (901) 925-4290

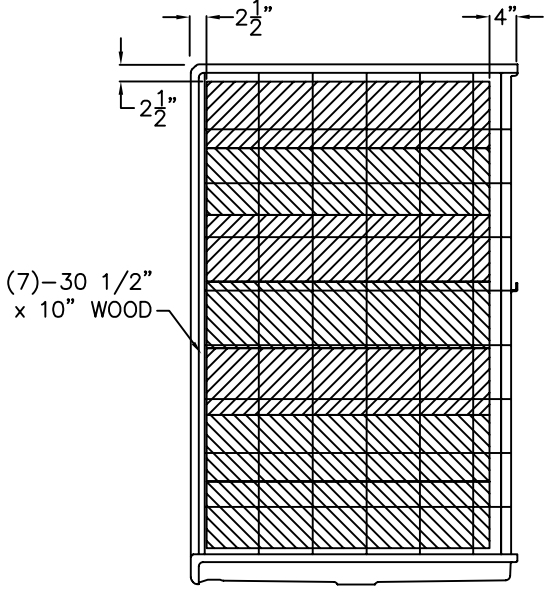
Recyclable Paper

# Board Placement SUBMITTAL DATA

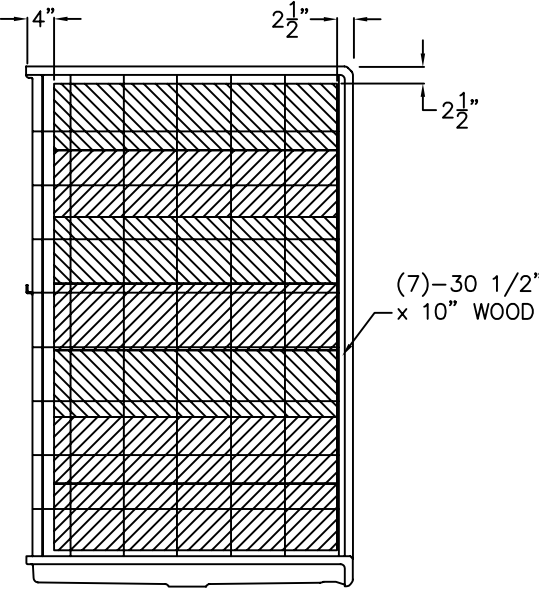
FRONT VIEW



SIDE VIEW



SIDE VIEW



DUE TO THE NATURE OF THE MATERIALS INVOLVED  
UNIT DIMENSIONS MAY VARY ± 1/2 INCH

Job Name:	HAMILTON
Model No.:	Drawing#: MP 6048 BF 5P 1.125 FWB Easy Base-BP
Approved by:	Date Approved:
Rep.:	Wholesaler:
	Date: 3-31-09      Revised: 5-24-10
	Quote No.