

Brand hansgrohe
 Art. Name **RainDrain Go** Complete Set Shower Drain Basic 35 1/2"
 Art. Nr. 56274801
 Surface Brushed Stainless Steel
 Pos. 1

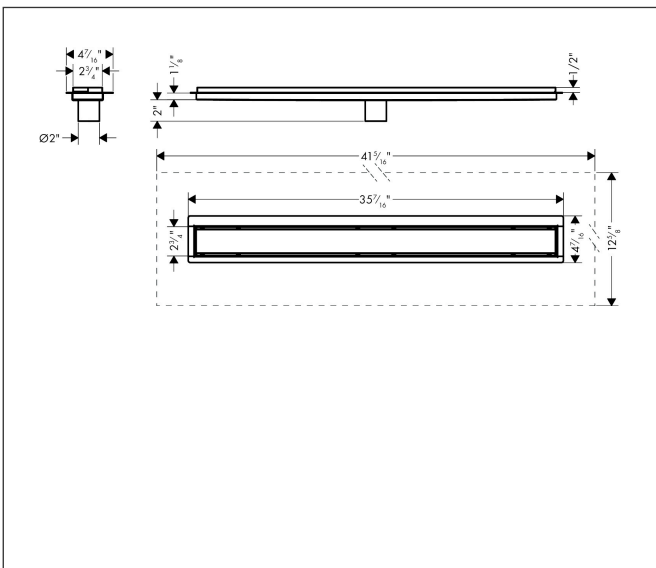
Product Picture



Features

- Consists of: drain set, installation set, pre-assembled sealing membrane, grate removal tool, hair catcher
- Grate material: Stainless Steel 304 (1.4301)
- Material installation set: Stainless Steel 304 (1.4301)
- Direction of outlet: vertical
- Easy to clean surface
- Drainage capacity standard installation: 10.3 GPM
- Where to use: new construction, renovation
- Tile thickness: up to 1/2"
- Grate removal tool allows easy removal of the drain set
- Mounting type: free in the floor
- Tileable on the back side
- Tile inlay depth: 1/2"
- Suitable for primary and secondary drainage
- Frame width: 2 5/8"

Drawing



Technology



Codes / Standards

- cUPC/IAPMO/12011/ cUPC mark