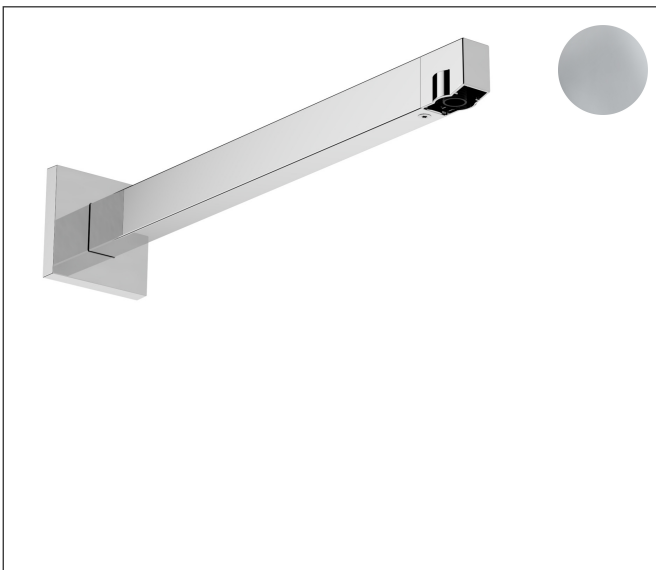


Brand	hansgrohe
Art. Name	Showerarm E,15"
Art. Nr.	24337001
Surface	chrome
Pos.	1

Product Picture



Features

- Length: 390 mm
- Brass/ plastic
- Connection type: 1/2" NPT
- Showerarm, Escutcheon, Mounting Material, Assembly instructions

Drawing

