

**Finoris**  
**Freestanding Tub Filler Trim with 1.75 GPM Handshower**  
 Finish: **matte white** Part no. : **76445701**



Description



Item details

List Price \$ 4,204.00

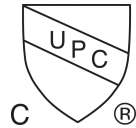
Design awards



reddot winner 2021



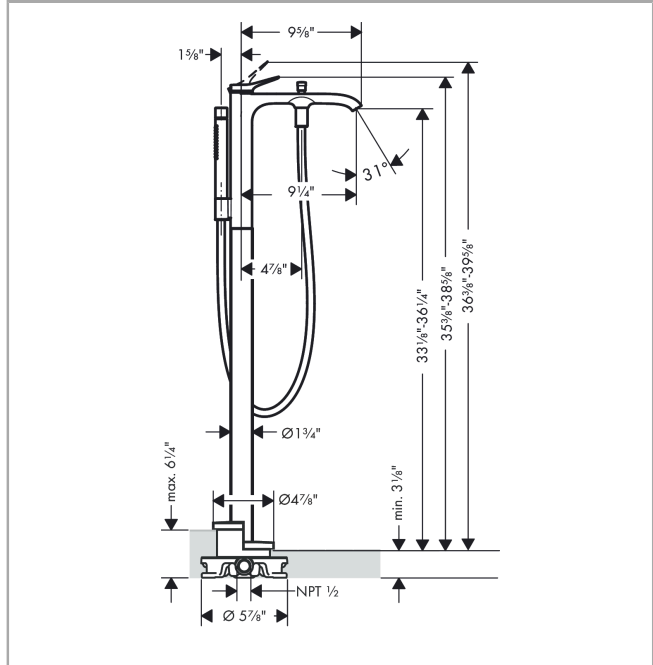
Compliance / Sustainability



Product image



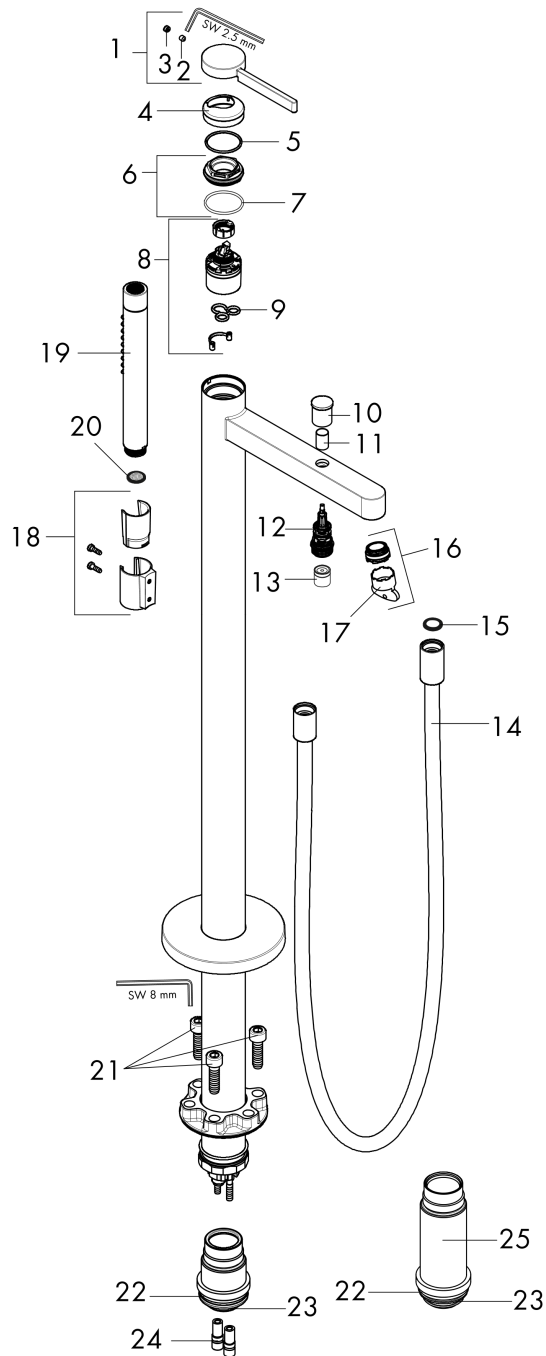
Scale drawing



**Finoris**  
**Freestanding Tub Filler Trim with 1.75 GPM Handshower**  
 Finish: **matte white** Part no. : **76445701**

**Exploded drawing**

Year of production: >11/21



**Finoris**  
**Freestanding Tub Filler Trim with 1.75 GPM Handshower**  
 Finish: **matte white** Part no. : **76445701**

## Spare parts list

Year of production: >11/21

Pos.	Description	Part no.	Price	PU
1	handle	93993700	-	1
2	hollow set screw M5x5	98446000	-	1
3	screw cover	93735700	-	1
4	escutcheon	94027700	-	1
5	O-ring 33x2	98154000	-	1
6	nut	93995000	-	1
7	O-ring 35x2	92604000	-	1
8	cartridge, assy	93895000	-	1
9	seal	95008000	-	1
10	diverter knob	97981700	-	1
11	sleeve	97979700	-	1
12	selector	97978000	-	1
13	non return valve	97980000	-	1
14	shower hose 1,25 m	28282700	-	1
15	seal	98058000	-	1
16	aerator M24x1 (38 l/min)	93965000	-	1
17	service tool	93750000	-	1
18	shower holder, assy	96295700	-	1
20	filter packing	94246000	-	1
21	hexagon socket screw M10x35	97670000	-	1
22	O-ring 44x2,5	98162000	-	1
23	O-ring 29x3	98371000	-	1
24	O-ring 7x2	98419000	-	1
25	extension set 60 mm	93882000	-	1