

Vivenis
Freestanding Tub Filler with 1.75 GPM Handshower
 Finishes : **chrome** Part no. : **75445001**



Description

Features

- Consists of: Freestanding tub filler trim, Baton handshower, Handshower hose, Handshower holder
- spray type mixer: WaterfallStream
- spray type hand shower: Rain, Mono
- flow rate of hand shower at 3 bar: 1.75 GPM (6.6 L/Min)
- Ceramic cartridge
- diverter with automatic resetting
- Integrated double backflow prevention

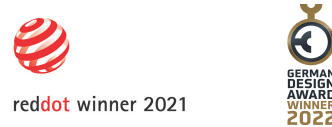
Item details

List Price \$ 2,500.00

Technology



Design awards



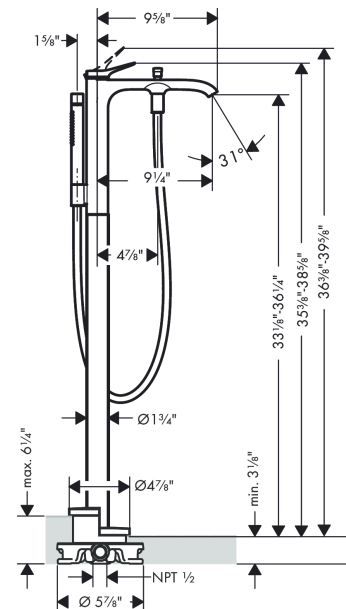
Compliance



Product image



Scale drawing

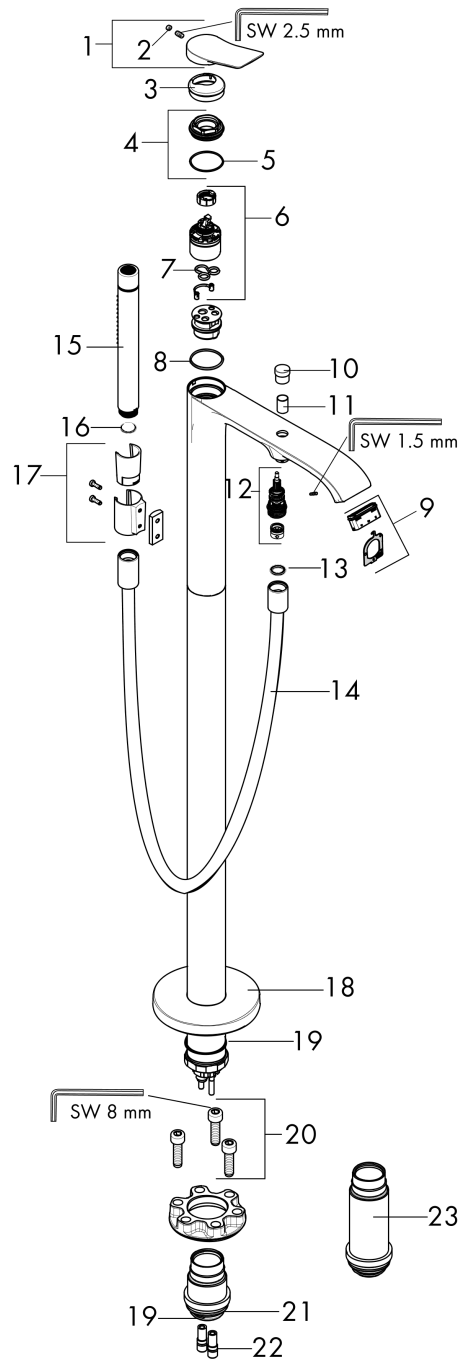


Vivenis
Freestanding Tub Filler with 1.75 GPM Handshower
 Finishes : **chrome** Part no. : **75445001**



Exploded drawing

Year of production: >11/21



Vivenis

Freestanding Tub Filler with 1.75 GPM Handshower

Finishes : **chrome** Part no. : **75445001**



Spare parts list

Year of production: >11/21

Pos.	Description	Part no.	Price	PU
1	handle	94277000	-	1
2	screw cover	93735460	-	1
3	escutcheon	94027000	-	1
4	nut	93995000	-	1
5	O-ring 35x1,5	92114000	-	1
6	cartridge, assy	93895000	-	1
7	seal	95008000	-	1
8	O-Ring 30x2	98186000	-	1
9	aerator cpl.	93916000	-	1
10	diverter knob	97981000	-	1
11	sleeve	97979000	-	1
12	selector	97978000	-	1
13	seal	98058000	-	1
14	shower hose 1,25 m	28282000	-	1
15	handshower	04486000	-	1
16	filter packing	94246000	-	1
17	shower holder, assy	96295000	-	1
18	escutcheon	94038000	-	1
19	O-ring 44x2,5	98162000	-	1
20	hexagon socket screw M10x35	97670000	-	1
21	O-ring 29x3	98371000	-	1
22	O-ring 7x2	98419000	-	1
23	extension set 60 mm	93882000	-	1