

Tecturis E
Freestanding Tub Filler with 1.75 GPM Handshower
 Finish: **chrome** Part no. : **73445001**



Description

Features

- Consists of: Freestanding tub filler trim, Baton handshower, Handshower holder, Handshower hose, Handshower holder, Shower hose
- Spray type mixer: WaterfallStream
- Spray type hand shower: PowderRain
- Flow rate of hand shower at 3 bar: 1.75 GPM (6.6 L/Min)
- Ceramic cartridge
- Pressure diverter Select with automatic resetting
- Integrated double backflow prevention

Item details

List Price \$ 2,800.00

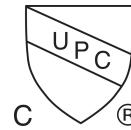
Technology



Design awards



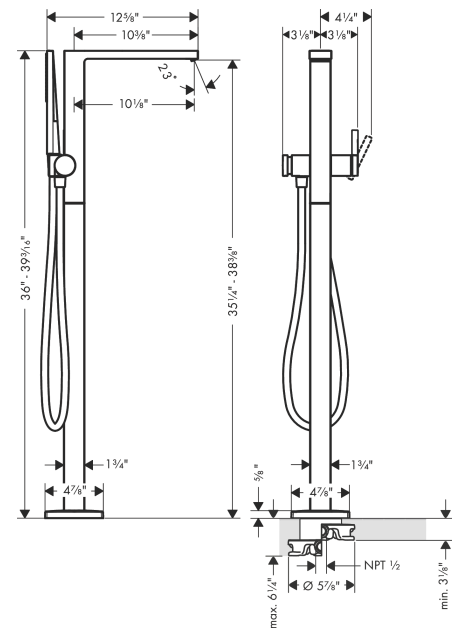
Compliance / Sustainability



Product image



Scale drawing

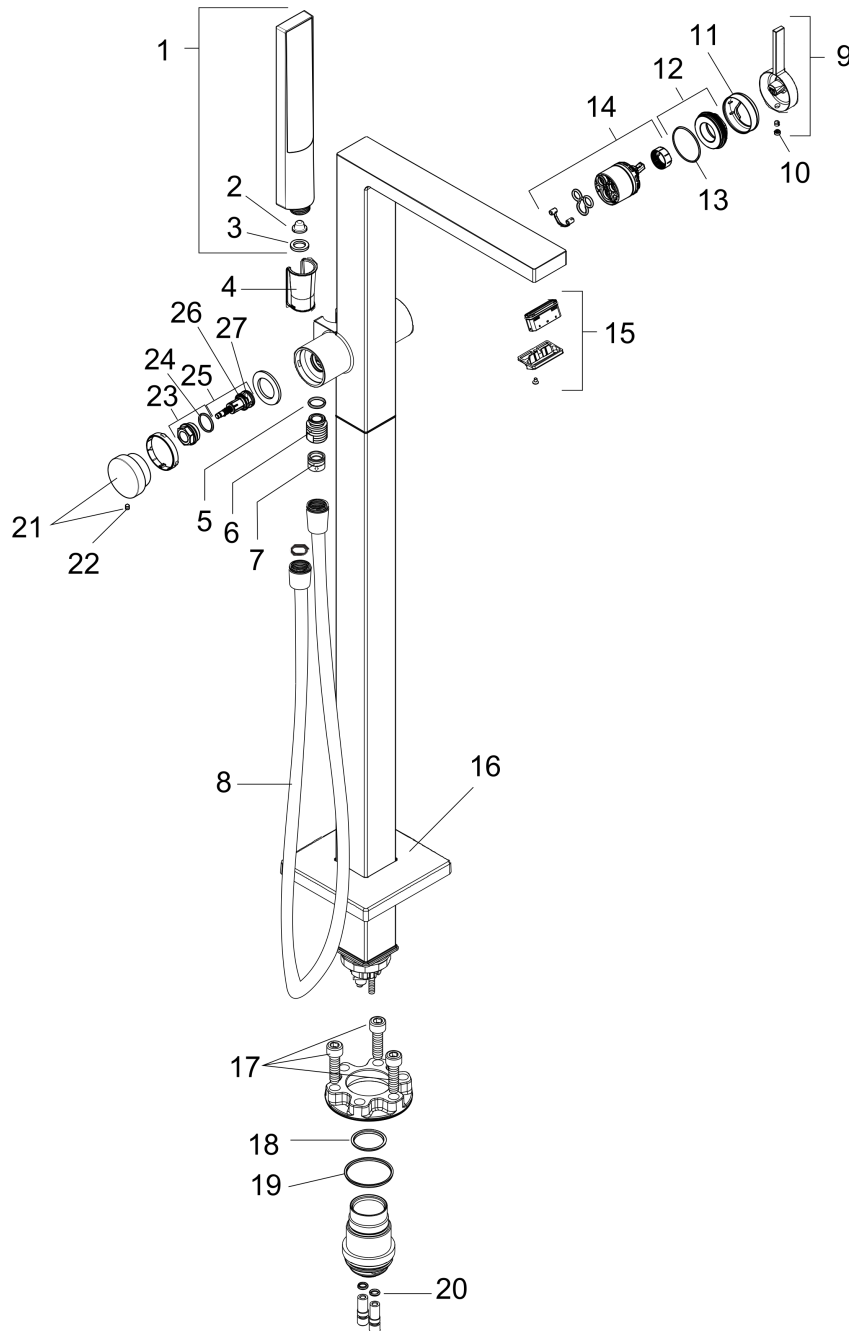


Tecturis E
Freestanding Tub Filler with 1.75 GPM Handshower
 Finish: **chrome** Part no. : **73445001**



Exploded drawing

Year of production: >02/24



Tecturis E
Freestanding Tub Filler with 1.75 GPM Handshower
 Finish: **chrome** Part no. : **73445001**



Spare parts list

Year of production: >02/24

Pos.	Description	Part no.	Price	PU
1	handshower	24321001	-	1
2	filter	92672000	-	1
3	seal	98058000	-	1
4	guide	92858000	-	1
5	O-ring 14x2	98129000	-	1
6	connecting thread	95392000	-	1
7	non return valve	97980000	-	1
8	shower hose Isiflex'B 1,60 m	28276000	-	1
9	handle	87122000	-	1
10	screw cover	93735460	-	1
11	escutcheon	87121000	-	1
12	nut	93995000	-	1
13	O-ring 35x1,5	92114000	-	1
14	cartridge, assy	93895000	-	1
15	aerator cpl.	87118000	-	1
16	escutcheon	93245000	-	1
17	hexagon socket screw M10x35	97670000	-	1
18	O-ring 29x3	98371000	-	1
19	O-ring 44x2,5	98162000	-	1
20	O-ring 7x2	98419000	-	1
21	pushbutton	94369000	-	1
22	hollow set screw M4x6	97767000	-	1
23	nut	94367000	-	1
24	O-ring 17x1,5	98137000	-	1
25	selector assy	94368000	-	1
26	O-ring 12x1,5	98430000	-	1
27	O-ring 15x1,5	92118000	-	1
a	base body	10452181	-	1
b	extension set 60 mm	93882000	-	1