

Tecturis S
Single-Hole Fine 110, 1.2 GPM
 Finish: **brushed nickel** Part no. : **73321821**



Description

Features

- Spout height: 4 Inch
- Handle variant: Lever
- Spray modes: aerated spray
- Max. flow: 1.2 GPM (4.5 L/Min)
- Ceramic cartridge

Item details

List Price \$ 409.00

Technology



Design awards



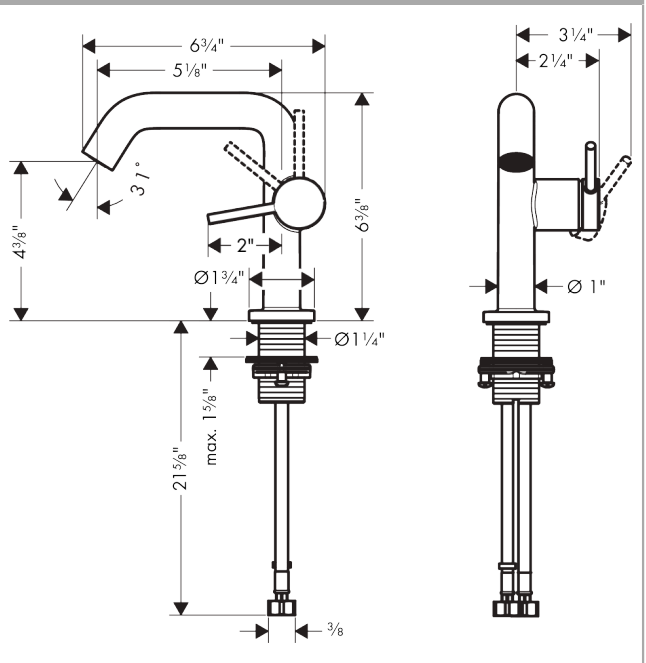
Compliance / Sustainability



Product image



Scale drawing

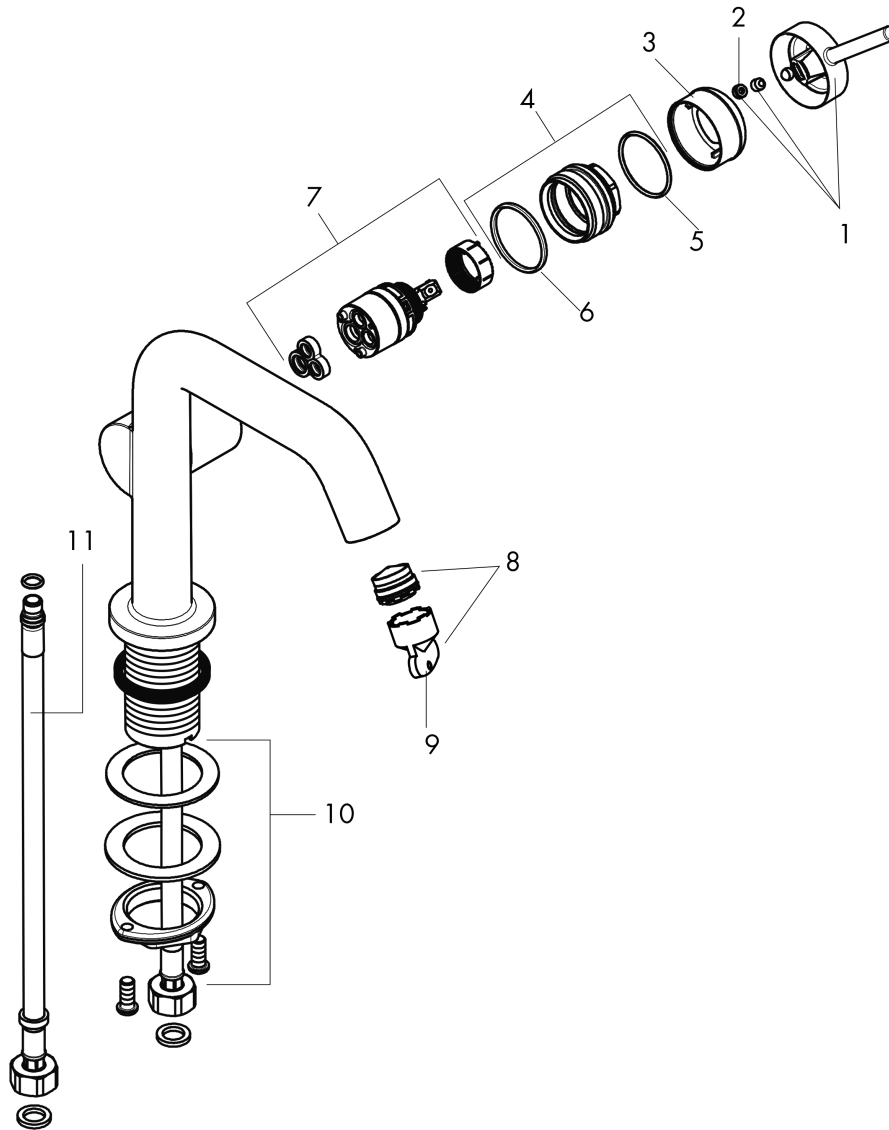


Tecturis S
Single-Hole Fine 110, 1.2 GPM
 Finish: brushed nickel Part no. : 73321821



Exploded drawing

Year of production: >02/24



Tecturis S
Single-Hole Fine 110, 1.2 GPM
 Finish: **brushed nickel** Part no. : **73321821**



Spare parts list

Year of production: >02/24

Pos.	Description	Part no.	Price	PU
2	screw cover	93735460	-	1
3	escutcheon	94987820	-	1
4	nut	94989000	-	1
5	O-ring 28x1,5	98421000	-	1
6	O-ring 29x2	98391000	-	1
7	cartridge, assy	93760000	-	1
8	aerator cpl.	87100000	-	1
9	service tool	93750000	-	1
10	fixing set (Ø 32)	13961000	-	1
11	connection hose 23½" M8x0,75 3/8"	98600001	-	1