

**Talis N**  
**Kitchen Faucet, U-Style 1-Spray, 1.75 GPM**  
 Finish: **polished nickel** Part no. : **72806831**



**Description**

**Features**

- Swivel range adjustable in 4 steps 60°, 110°, 150° or 360°
- Aerated spray
- Deck mounted
- Max. flow: 1.75 GPM (6.6 L/Min)
- Ceramic cartridge
- 3/8" connections
- Single lever kitchen mixer, connection hoses, Fastening set, Assembly instructions

**Item details**

List Price \$ 615.00

**Technology**



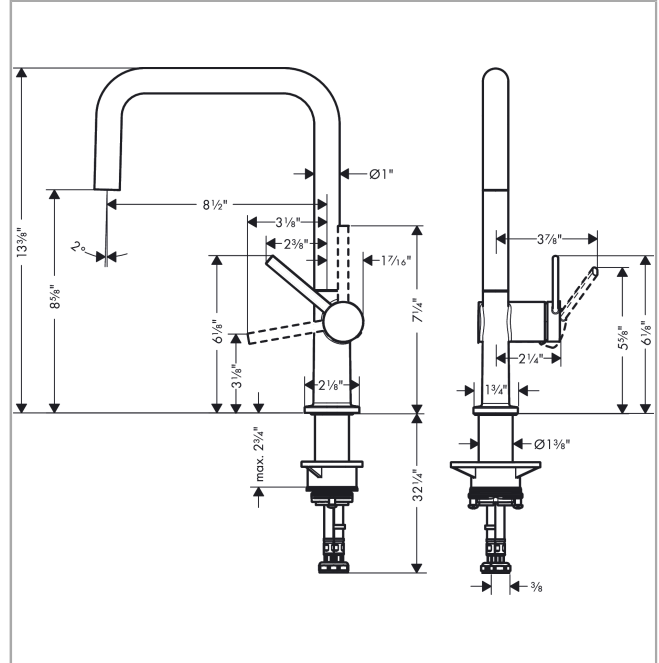
**Compliance / Sustainability**



**Product image**



**Scale drawing**

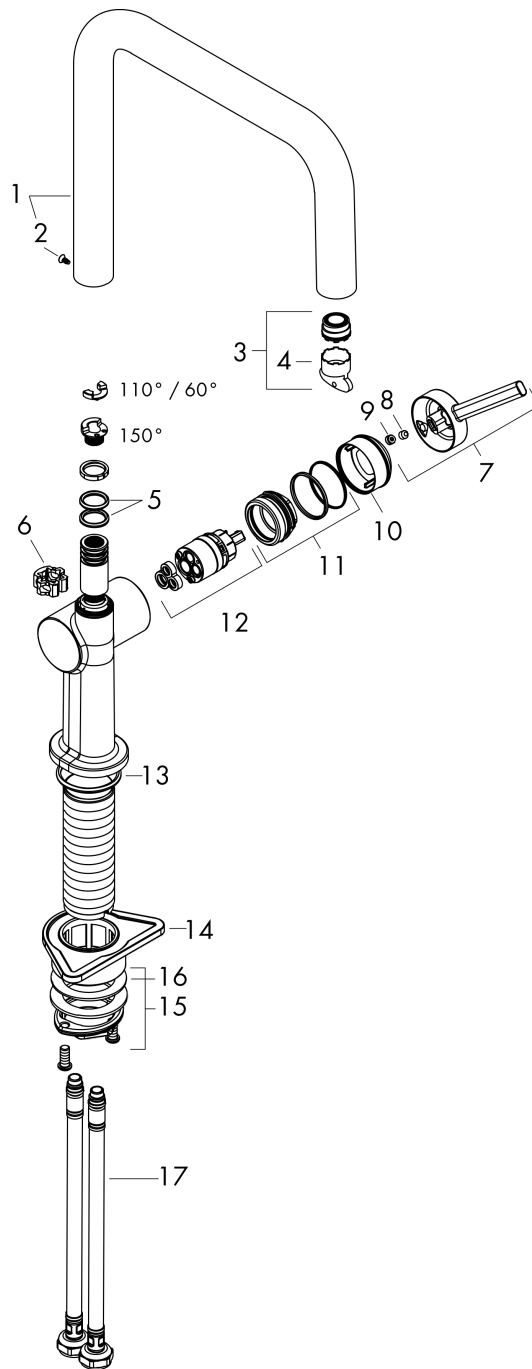


**Talis N**  
**Kitchen Faucet, U-Style 1-Spray, 1.75 GPM**  
 Finish: **polished nickel** Part no. : **72806831**



Exploded drawing

Year of production: >04/20



**Talis N**  
**Kitchen Faucet, U-Style 1-Spray, 1.75 GPM**  
 Finish: **polished nickel** Part no. : **72806831**



## Spare parts list

Year of production: >04/20

| Pos. | Description                       | Part no. | Price | PU |
|------|-----------------------------------|----------|-------|----|
| 1    | spout cpl.                        | 93756831 | -     | 1  |
| 2    | screw                             | 94319000 | -     | 1  |
| 3    | service tool                      | 93750000 | -     | 1  |
| 4    | O-Ring 14x2,5                     | 98189000 | -     | 1  |
| 5    | handle                            | 93736831 | -     | 1  |
| 6    | hollow set screw M5x5             | 98446000 | -     | 1  |
| 7    | screw cover                       | 93735610 | -     | 1  |
| 8    | flange                            | 93737831 | -     | 1  |
| 9    | nut                               | 93738000 | -     | 1  |
| 10   | cartridge, assy                   | 93760000 | -     | 1  |
| 11   | O-ring 36x3                       | 98052000 | -     | 1  |
| 12   | support                           | 97523000 | -     | 1  |
| 13   | fixing set (Ø 34)                 | 95049000 | -     | 1  |
| 14   | lever collar                      | 97548000 | -     | 1  |
| 15   | connection hose 35½" M8x0,75 3/8" | 96316001 | -     | 1  |
| a    | aerator cpl.                      | 94222000 | -     | 1  |