

Rebris E
Single-Hole Faucet 240
 Finish: **chrome** Part no. : **72564001**



Description

Features

- Spout height: 10 Inch
- Handle variant: Lever
- Spray modes: aerated spray
- Max. flow: 1.2 GPM (4.5 L/Min)
- Ceramic cartridge

Item details

List Price \$ 350.00

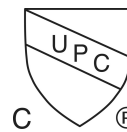
Technology



Design awards



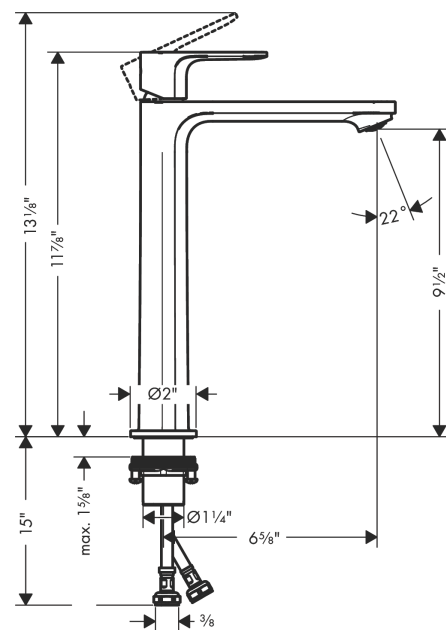
Compliance / Sustainability



Product image



Scale drawing

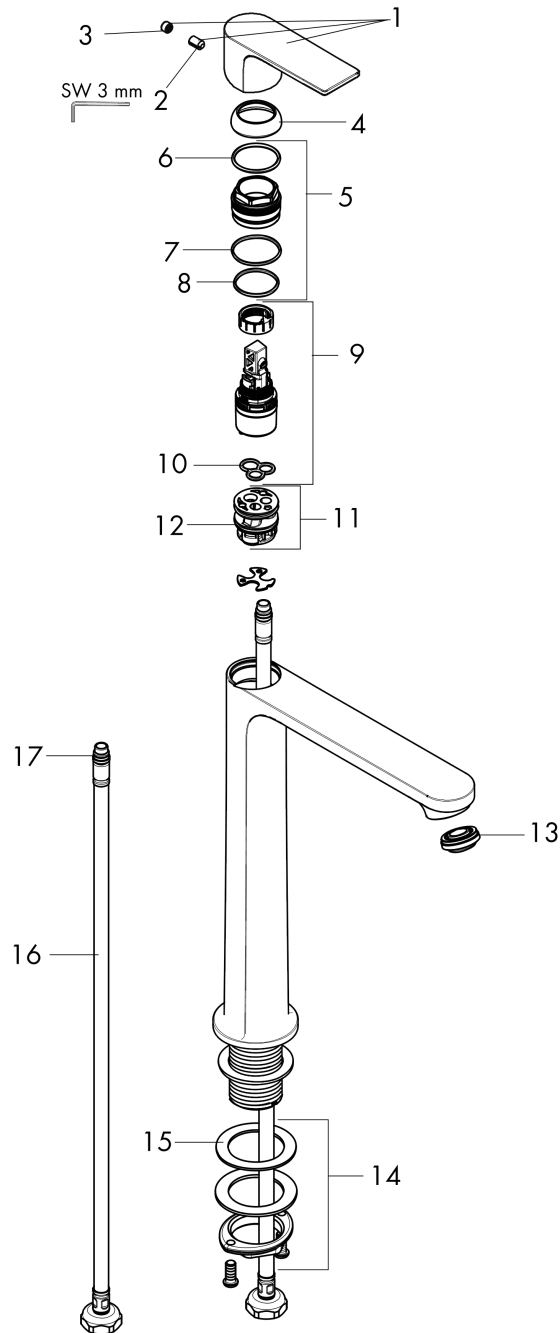


Rebris E
Single-Hole Faucet 240
 Finish: **chrome** Part no. : **72564001**



Exploded drawing

Year of production: >01/23



Rebris E
Single-Hole Faucet 240
 Finish: **chrome** Part no. : **72564001**



Spare parts list

Year of production: >01/23

Pos.	Description	Part no.	Price	PU
1	handle	94643000	-	1
2	hollow set screw M6x10 DIN 916	96029000	-	1
3	screw cover	95704000	-	1
4	flange	98863000	-	1
5	nut	98864000	-	1
6	O-ring 24x2	98388000	-	1
7	O-ring 27x1,5	92527000	-	1
8	O-ring 25x1,5	98146000	-	1
9	cartridge, assy	95973001	-	1
10	seal	98865000	-	1
11	adapter for cartridge	98866000	-	1
12	O-ring 23x2	98398000	-	1
13	aerator M24x1 (4,5 l/min)	94364001	-	1
14	fixing set (Ø 32)	13961000	-	1
15	lever collar	97548000	-	1
16	connection hose 23½" M8x0,75 3/8"	98600001	-	1
17	O-ring 6,6x1,6	93019000	-	1