

**Vernis Blend**  
**Electronic Faucet with Preset Temperature Control AC-Powered, 0.5 GPM**  
 Finish: **chrome** Part no. : **71501001**



**Description**

**Features**

- Spray modes: aerated spray
- Angle-adjustable spray
- Pre-set temperature
- Infrared sensor
- 100 - 240 Volt AC / 50-60 Hz
- Flushing time adjustable
- Flushing time: 10 seconds, 20 seconds, 30 seconds
- Frequency of hygiene rinse: 24 hours, 48 hours, 72 hours
- Flushing time hygiene rinse: 10 seconds, 20 seconds, 30 seconds
- Cleaning mode: manual water stop for sink cleaning
- 3/8" connections

**Item details**

List Price \$ 489.00

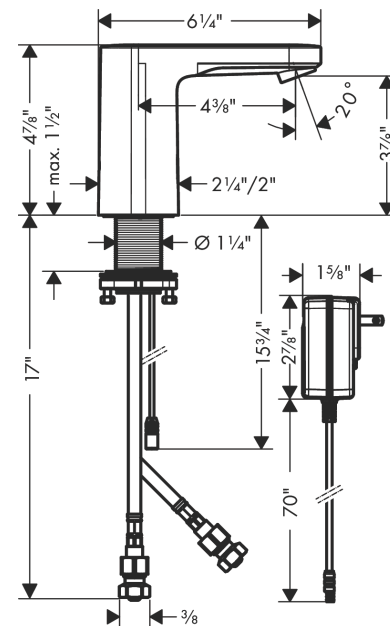
**Technology**



**Product image**



**Scale drawing**



**Vernis Blend**

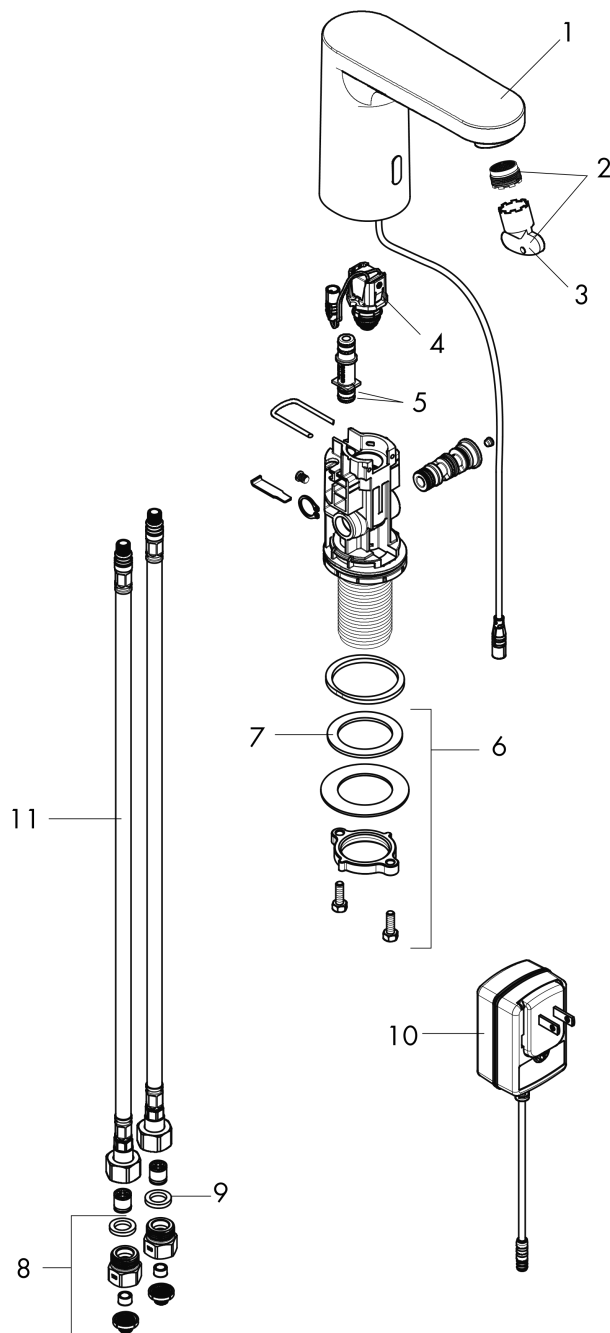
**Electronic Faucet with Preset Temperature Control AC-Powered, 0.5 GPM**

Finish: **chrome** Part no. : **71501001**



**Exploded drawing**

Year of production: >12/21



**Vernis Blend**

**Electronic Faucet with Preset Temperature Control AC-Powered, 0.5 GPM**

Finish: **chrome** Part no. : **71501001**



**Spare parts list**

Year of production: >12/21

Pos.	Description	Part no.	Price	PU
1	mixer-hood	94454000	-	1
2	aerator M18x1 (5 l/min)	94451000	-	1
3	service tool	93750000	-	1
4	solenoid valve	94453000	-	1
5	O-ring 8x1,5	98423000	-	1
6	fixing set (Ø 32)	13961000	-	1
7	lever collar	97548000	-	1
8	set of adapters	94469001	-	1
9	seal	97761000	-	1
10	transformer	94269000	-	1
11	connection hose 450 mm M8x0,75 G3/8	93405000	-	1