

Metris
Single-Hole Faucet 100 with Pop-Up Drain, 1.2 GPM
 Finish: **brushed nickel** Part no. : **3108821**



Description

Features

- Handle variant: Lever
- Spray modes: aerated spray
- Max. flow: 1.2 GPM (4.5 L/Min)
- Ceramic cartridge
- Includes pop-up drain

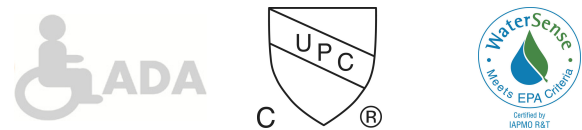
Item details

List Price \$ 587.00

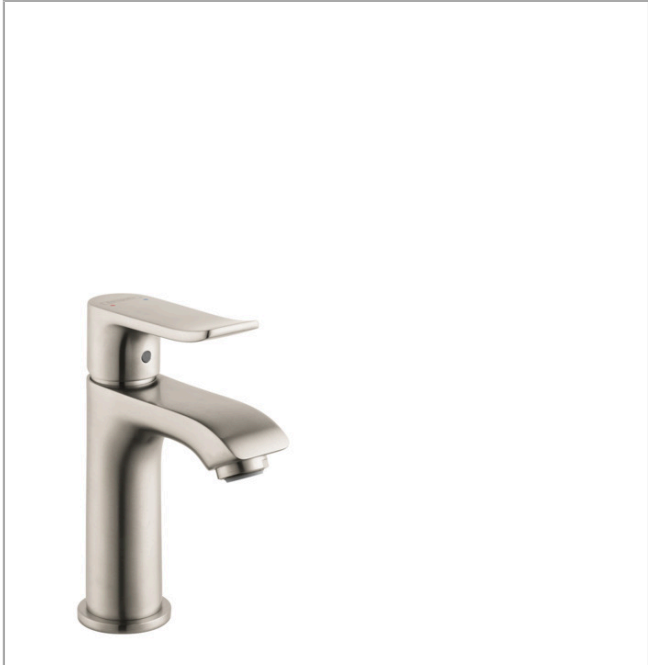
Technology



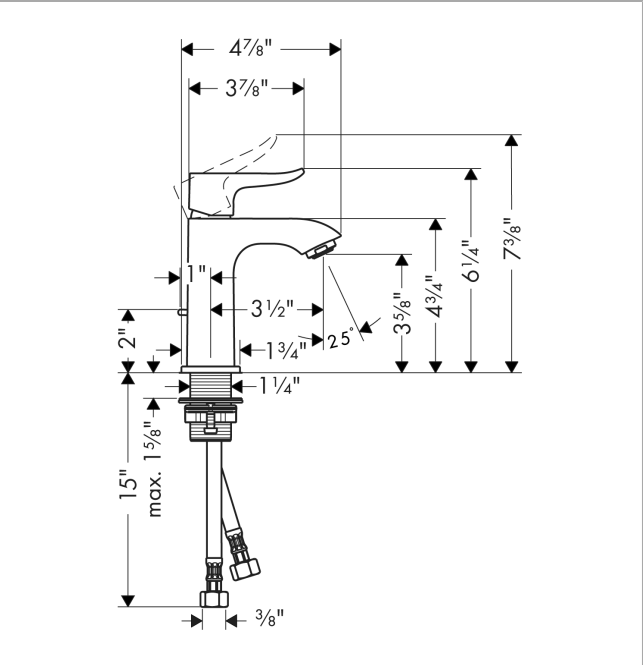
Compliance / Sustainability



Product image



Scale drawing

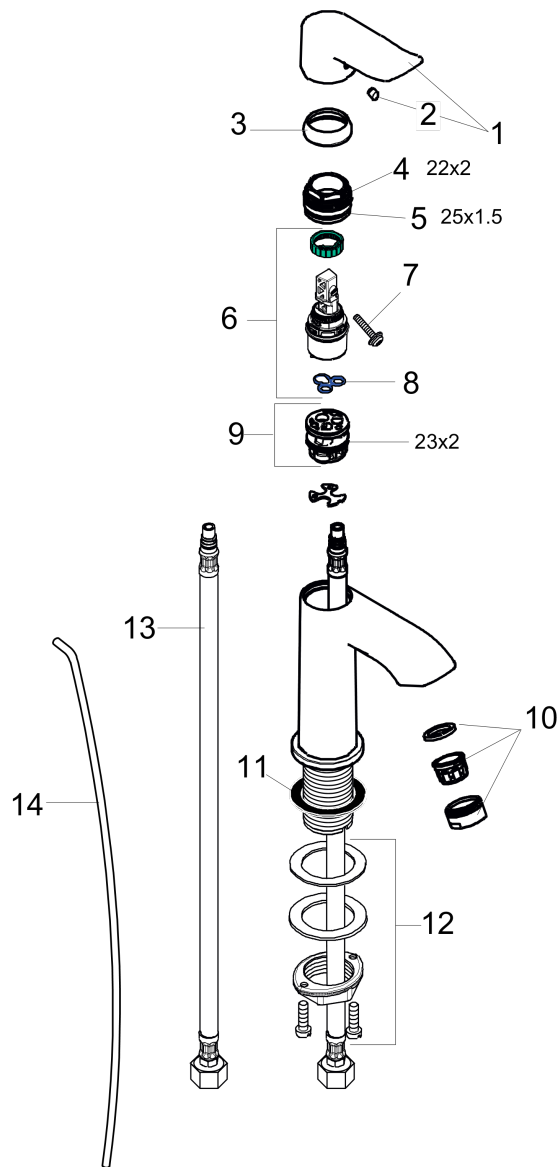


Metris
Single-Hole Faucet 100 with Pop-Up Drain, 1.2 GPM
 Finish: brushed nickel Part no. : 31088821



Exploded drawing

Year of production: >07/16



Metris

Single-Hole Faucet 100 with Pop-Up Drain, 1.2 GPM

Finish: **brushed nickel** Part no. : **31088821**



Spare parts list

Year of production: >07/16

Pos.	Description	Part no.	Price	PU
1	handle	95520820	-	1
2	screw cover	96338000	-	1
3	flange	98863820	-	1
4	O-Ring 22x2	98185000	-	1
5	O-ring 25x1,5	98146000	-	1
6	cartridge, assy	95973001	-	1
7	locking screw for handle	95140000	-	1
8	seal	98865000	-	1
9	adapter for cartridge	98866000	-	1
10	aerator M24x1 (4,5 l/min)	92877820	-	1
11	flat seal	98749000	-	1
12	fixing set (Ø 32)	13961000	-	1
13	connection hose 18½" M8x0,75 3/8"	96321001	-	1
14	pull rod	96657820	-	1
a	pop up waste	88509820	-	1
b	nut	98864000	-	1