

Metris S
Single-Hole Faucet 100 with Pop-Up Drain, 0.5 GPM
 Finish: **brushed nickel** Part no. : **31012821**



Description

Features

- Handle variant: Lever
- Spray modes: aerated spray
- Max. flow: 0.5 GPM (1.9 L/Min)
- Ceramic cartridge
- Includes pop-up drain

Item details

List Price \$ 618.00

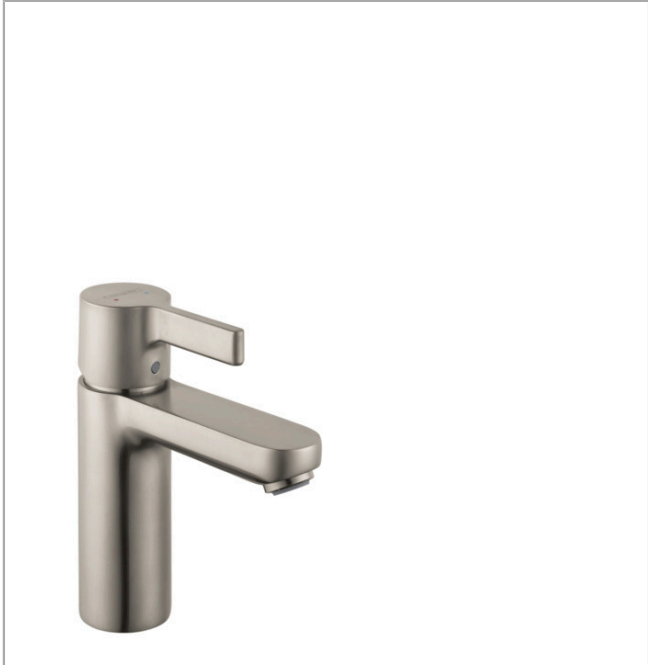
Technology



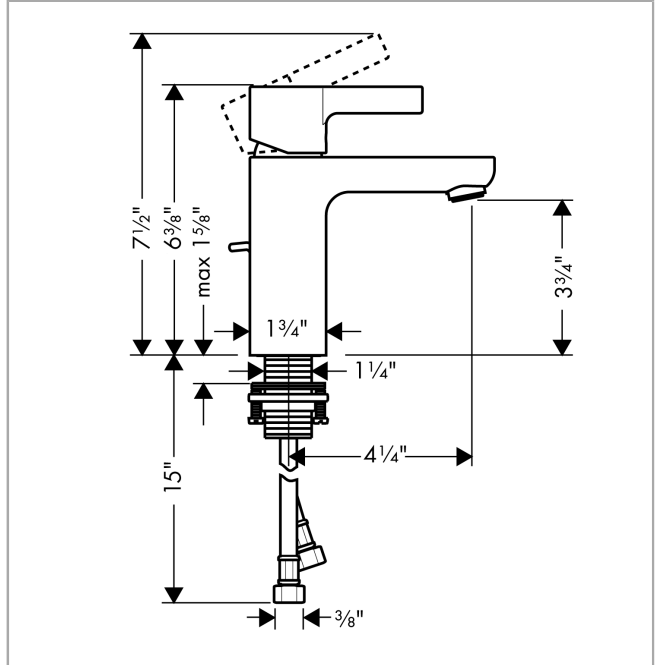
Compliance / Sustainability



Product image



Scale drawing

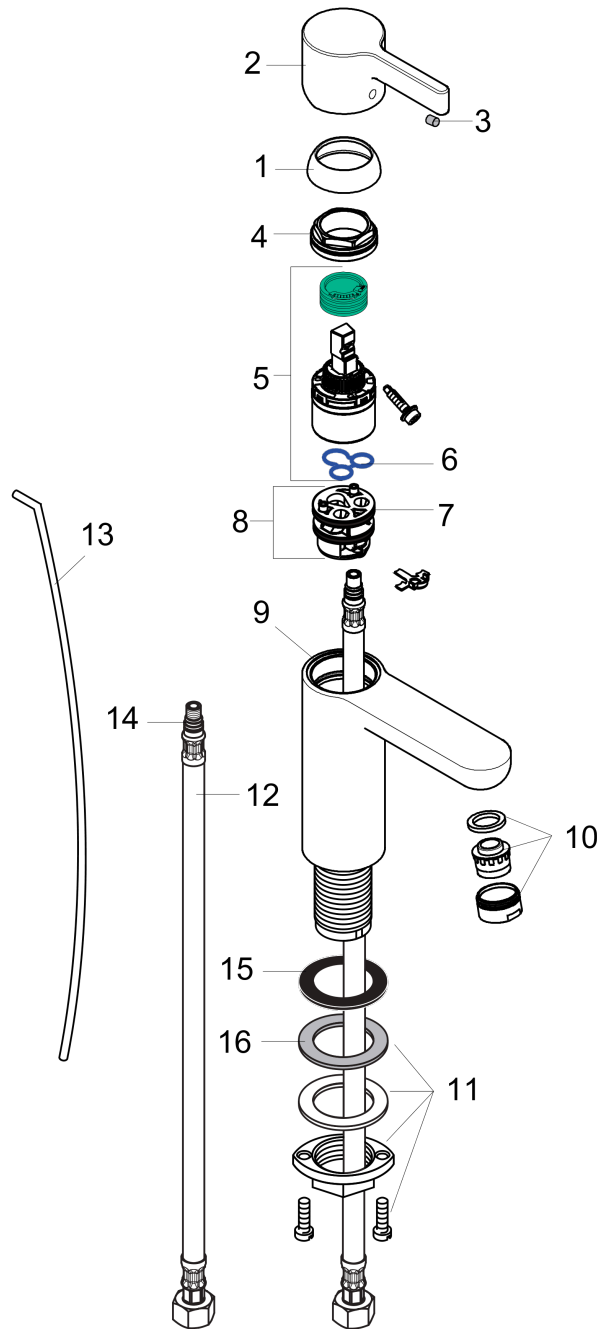


Metris S
Single-Hole Faucet 100 with Pop-Up Drain, 0.5 GPM
 Finish: brushed nickel Part no. : 31012821



Exploded drawing

Year of production: >10/19



Metris S

Single-Hole Faucet 100 with Pop-Up Drain, 0.5 GPM

Finish: brushed nickel Part no. : 31012821



Spare parts list

Year of production: >10/19

Pos.	Description	Part no.	Price	PU
1	flange	97406820	-	1
2	handle	31093820	-	1
3	screw cover	96338000	-	1
4	nut	97209000	-	1
5	cartridge, assy	95646001	-	1
6	seal	95008000	-	1
7	adapter for cartridge	98750000	-	1
8	O-Ring 30x2	98186000	-	1
9	O-ring 35x2	92604000	-	1
10	aerator M24x1 (1,9 l/min)	93502820	-	1
11	fixing set (Ø 32)	13961000	-	1
12	connection hose 18½" M8x0,75 3/8"	96321001	-	1
13	pull rod	96657820	-	1
14	O-ring 7x1,5	98422000	-	1
15	flat seal	98749000	-	1
16	lever collar	97548000	-	1
a	pop up waste	88509820	-	1
b	locking screw for handle	95140000	-	1