

Handshower Holder Classic

Finish: **chrome** Part no. : **28324000**



Description

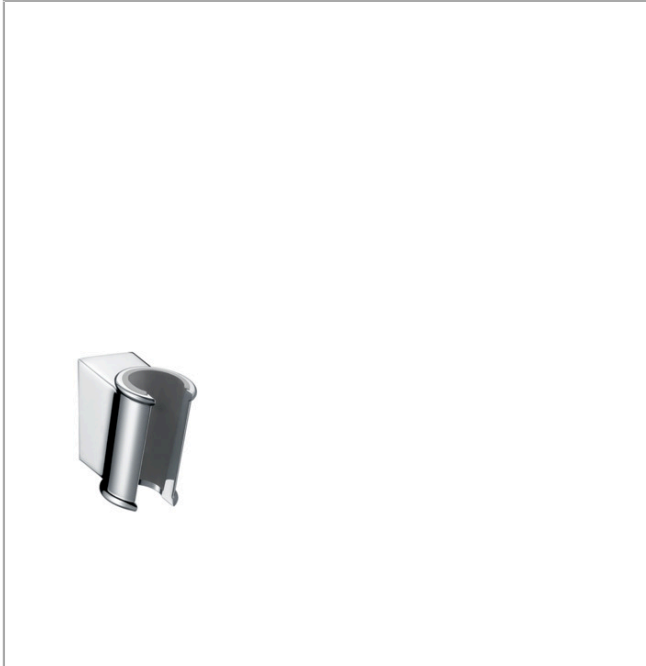
Features

- For shower hose with conical nut
- Wall-mounted
- Diameter of drilled hole: 0.23"

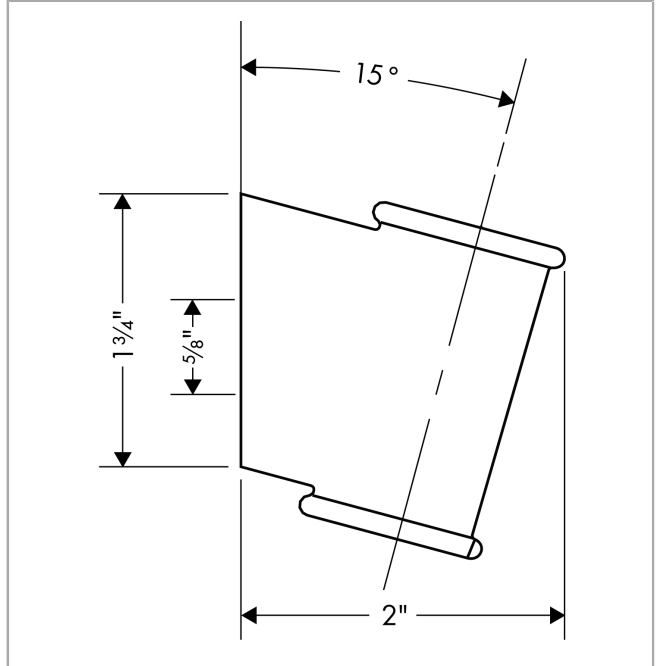
Item details

List Price \$ 55.00

Product image



Scale drawing

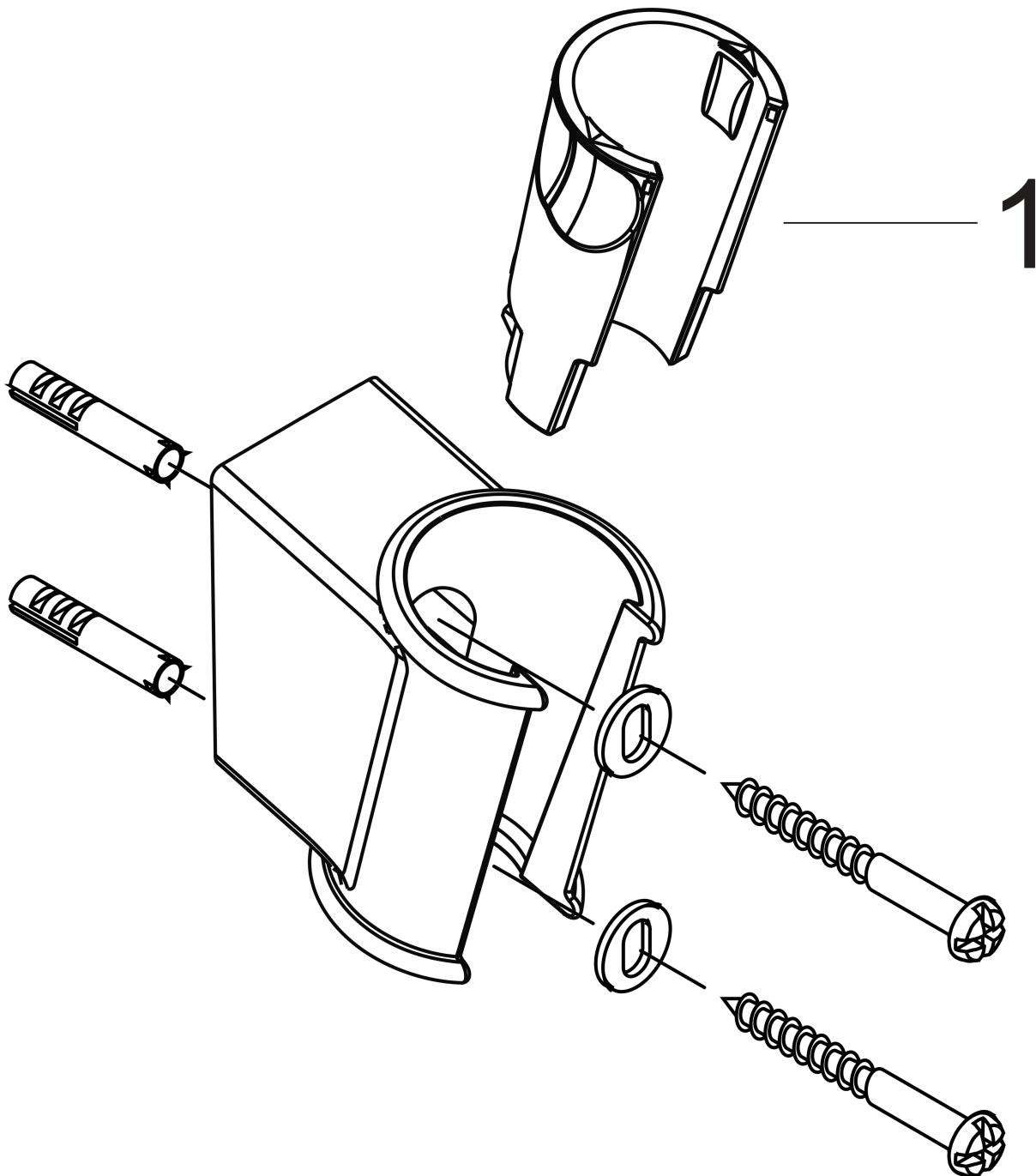


Handshower Holder Classic
Finish: **chrome** Part no. : **28324000**



Exploded drawing

Year of production: >04/08



Handshower Holder Classic
 Finish: **chrome** Part no. : **28324000**



Spare parts list

Year of production: >04/08

Pos.	Description	Part no.	Price	PU
1	guide	98918000	-	1