

Showerarm, 15"

Finish: **chrome** Part no. : **24357001**



Description

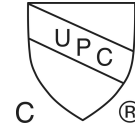
Features

- Length: 15 3/8"
- Brass/ plastic
- Connection type: 1/2" NPT
- Showerarm, Escutcheon, Mounting Material, Assembly instructions

Item details

List Price \$ 179.00

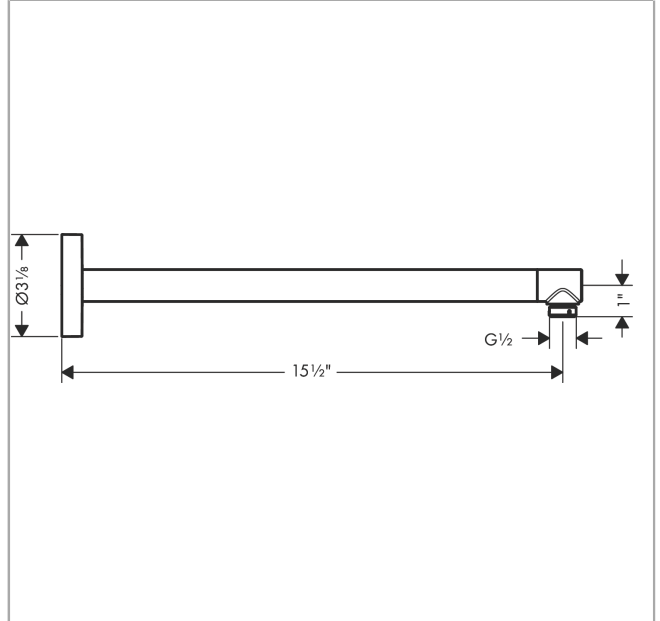
Compliance / Sustainability



Product image



Scale drawing



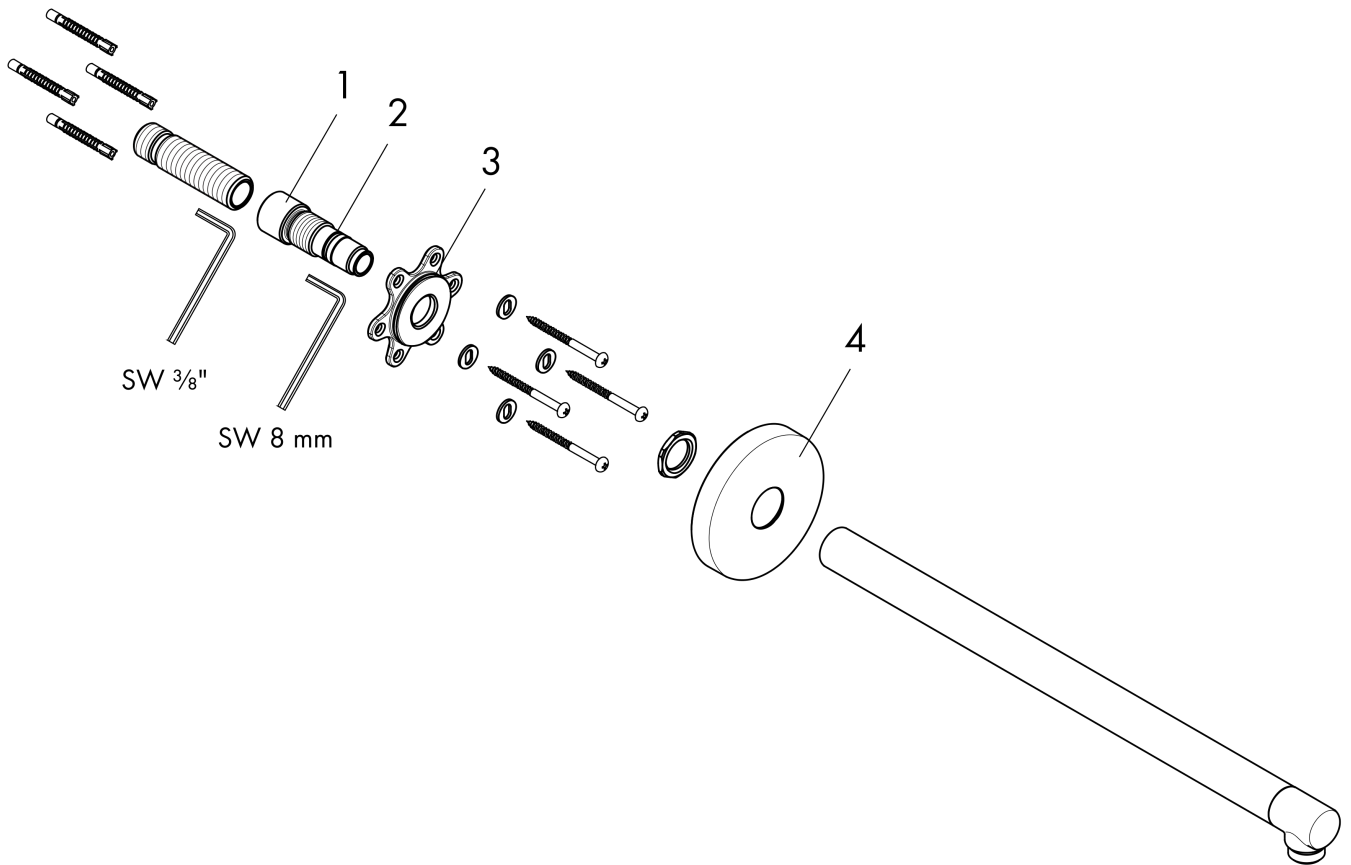
Showerarm, 15"

Finish: **chrome** Part no. : **24357001**



Exploded drawing

Year of production: >07/23



Showerarm, 15"

Finish: **chrome** Part no. : **24357001**



Spare parts list

Year of production: >07/23

Pos.	Description	Part no.	Price	PU
1	connecting thread	93418001	-	1
2	O-ring 14x2	98129000	-	1
3	O-ring 40x2	94689000	-	1
4	escutcheon	93827000	-	1