

Ecostat
Pressure Balance Trim S Square with Diverter
 Finish: **chrome** Part no. : **15862001**



Description

Features

- Temperature and on/off control for 2 outlets
- Outlets may be operated simultaneously
- Max. flow: 4.5 GPM (17 L/Min)
- Connection type: basic set

Item details

List Price \$ 442.00

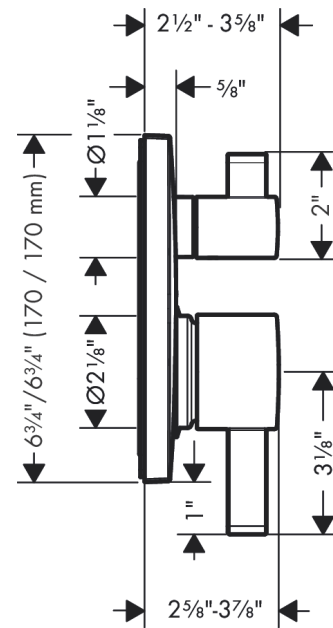
Compliance / Sustainability



Product image



Scale drawing

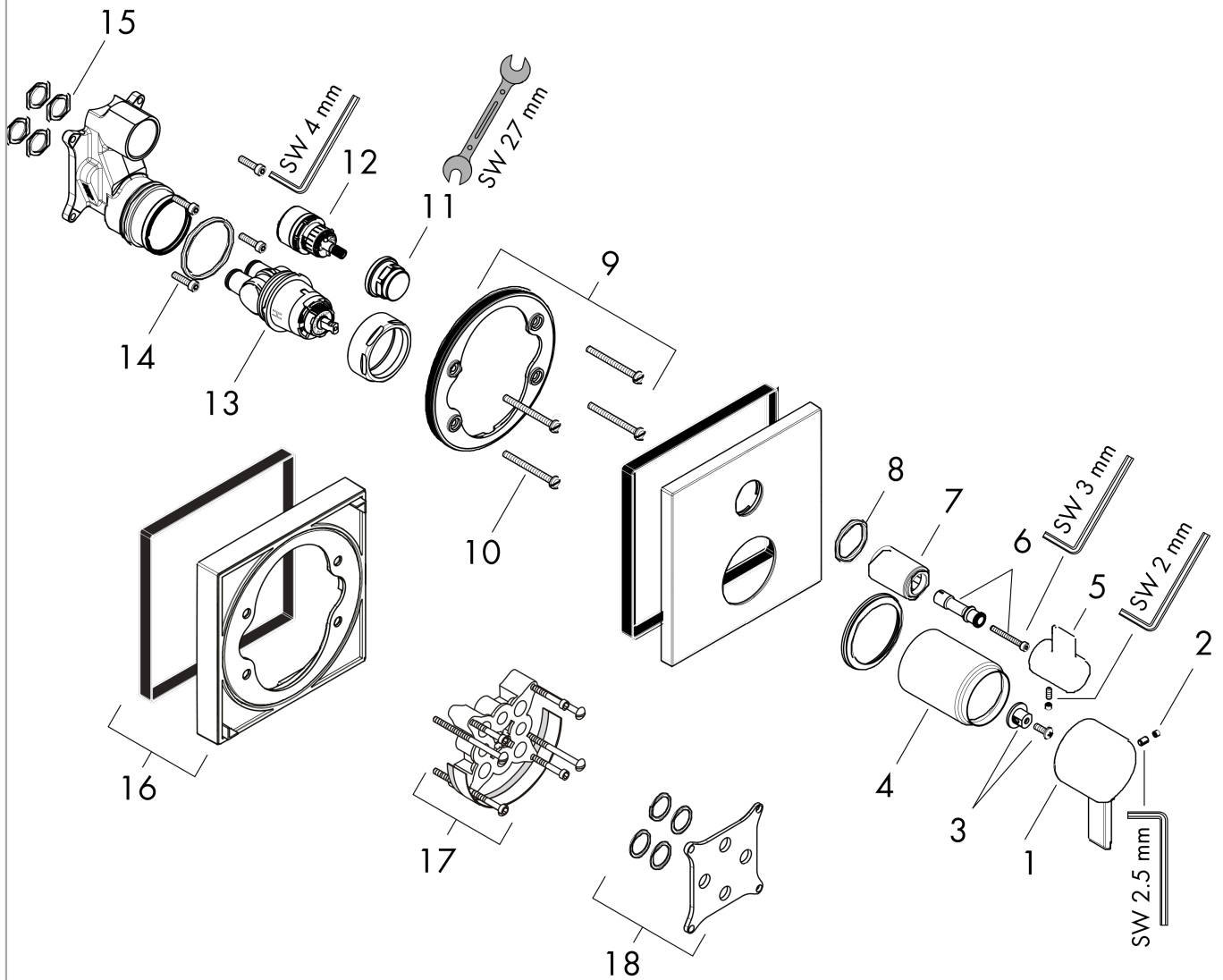


Ecostat
Pressure Balance Trim S Square with Diverter
 Finish: **chrome** Part no. : **15862001**



Exploded drawing

Year of production: >11/20



Ecostat
Pressure Balance Trim S Square with Diverter
 Finish: **chrome** Part no. : **15862001**



Spare parts list

Year of production: >11/20

Pos.	Description	Part no.	Price	PU
1	handle	88763000	-	1
2	screw cover	95181000	-	1
3	adapter for handle	92756000	-	1
4	sleeve	88765000	-	1
5	handle for shut off unit	88767000	-	1
6	adapter for handle	88772000	-	1
7	sleeve	95253000	-	1
8	O-ring 29x3	98371000	-	1
9	holder for escutcheon	98793000	-	1
10	set of fixing screws	96454000	-	1
11	nut	95255000	-	1
12	shut off unit	95800000	-	1
13	cartridge, assy	88727000	-	1
14	set of screws	96525000	-	1
15	O-ring 16x2	98133000	-	1
16	extension 22 mm	13593820	-	1
17	extension 25 mm	13595000	-	1
18	compensation set 1°	95521000	-	1
a	base body	01850181	-	1