

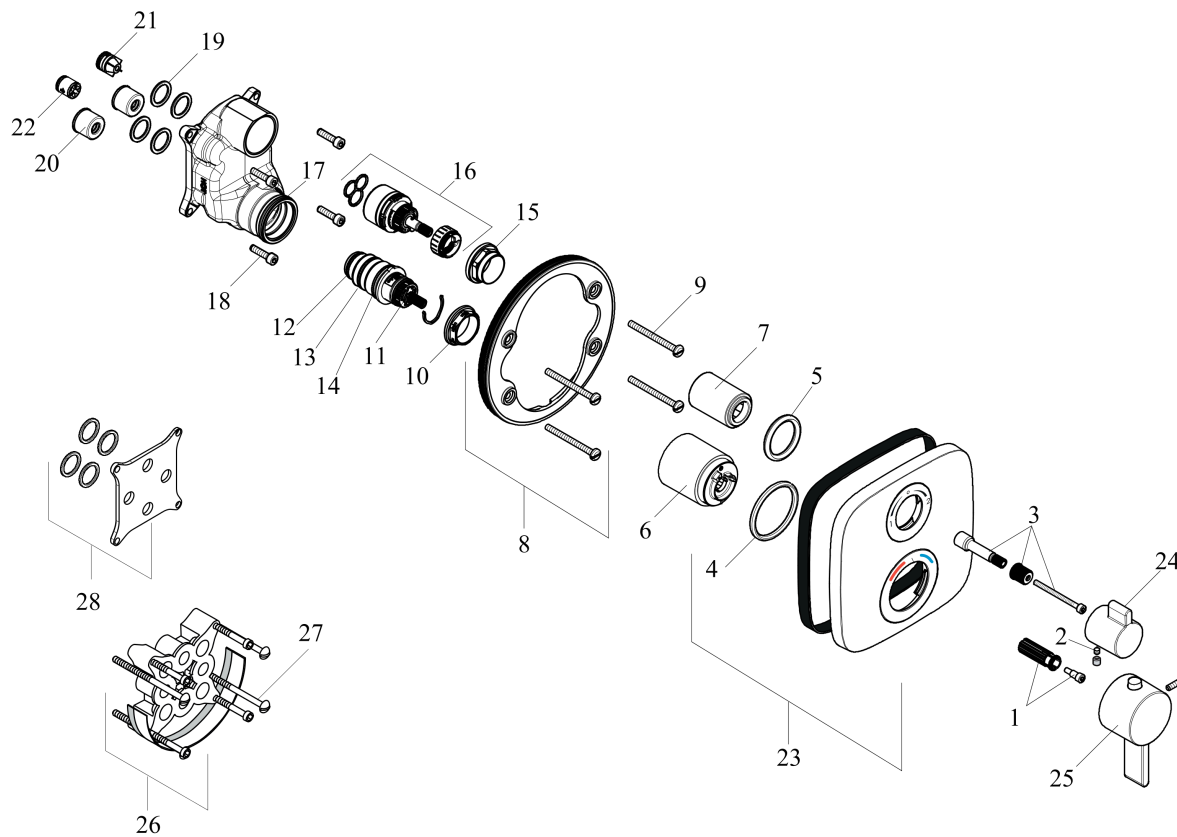


**Ecostat E**  
**Thermostatic Trim with Volume Control and Diverter**  
 Finish: **chrome** Part no. : **15708001**



**Exploded drawing**

Year of production: >07/20



## Ecostat E

### Thermostatic Trim with Volume Control and Diverter

Finish: **chrome** Part no. : **15708001**



#### Spare parts list

Year of production: >07/20

| Pos. | Description                                       | Part no. | Price | PU |
|------|---|----------|-------|----|
| 1    | handle fixing set                                 | 95843000 | -     | 1  |
| 2    | hollow set screw M4x5                             | 92846000 | -     | 1  |
| 3    | adapter for handle                                | 95252000 | -     | 1  |
| 4    | O-ring 44x4                                       | 98471000 | -     | 1  |
| 5    | O-ring 30x5                                       | 98153000 | -     | 1  |
| 6    | sleeve  | 92216000 | -     | 1  |
| 7    | sleeve  | 95253000 | -     | 1  |
| 8    | holder for escutcheon                             | 98793000 | -     | 1  |
| 9    | set of fixing screws                              | 96454000 | -     | 1  |
| 10   | nut   | 98913000 | -     | 1  |
| 11   | thermostat cartridge                              | 98282000 | -     | 1  |
| 12   | O-ring 20x1,5                                     | 98197000 | -     | 1  |
| 13   | O-ring 25x1,5                                     | 98146000 | -     | 1  |
| 14   | O-ring 25x2,5                                     | 92146000 | -     | 1  |
| 15   | nut   | 93605000 | -     | 1  |
| 16   | shut off unit with selector                       | 98283000 | -     | 1  |
| 17   | O-ring 36x2                                       | 98156000 | -     | 1  |
| 18   | set of screws                                     | 96525000 | -     | 1  |
| 19   | O-ring 16x2                                       | 98133000 | -     | 1  |
| 20   | noise reduction                                   | 94073000 | -     | 1  |
| 21   | set of non return valves DW 15                    | 97350000 | -     | 1  |
| 22   | non return valve (pressure-resistant up to 2 MPa) | 92594000 | -     | 1  |
| 23   | escutcheon 155 / 155 mm                           | 92279001 | -     | 1  |
| 24   | handle  | 93831000 | -     | 1  |
| 26   | extension 25 mm                                   | 13595000 | -     | 1  |
| 27   | set of fixing screws                              | 97747000 | -     | 1  |
| 28   | compensation set 1°                               | 95521000 | -     | 1  |
| a    | extension 22 mm                                   | 15597000 | -     | 1  |