

**Talis S<sup>2</sup>**  
**HighArc Kitchen Faucet 2-Spray Pull-Down, 1.75 GPM**  
 Finish: **chrome** Part no. : **14877001**



## Description

### Features

- Swivel range 150°
- Aerated spray, needle spray, Shower spray pattern
- Non-locking spray diverter
- MagFit magnetic sprayhead docking
- Deck mounted
- Max. flow: 1.75 GPM (6.6 L/Min)
- Ceramic cartridge
- 3/8" connections
- Integrated double backflow prevention
- Extension length up to 19 5/8" (50cm)
- Single lever kitchen mixer, connection hoses, Fastening set, Assembly instructions

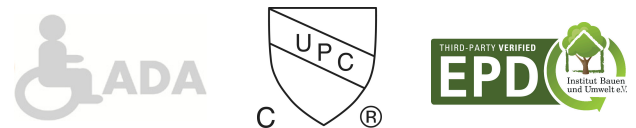
## Item details

List Price \$ 804.00

## Technology



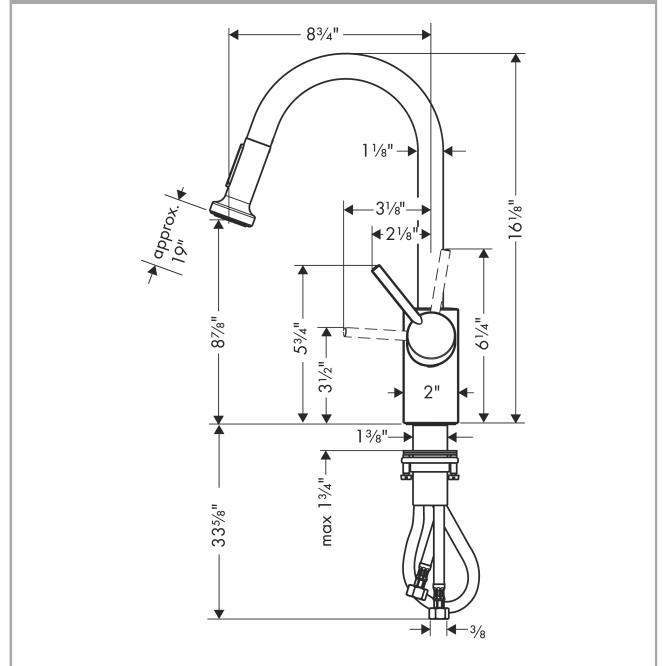
## Compliance / Sustainability



## Product image



## Scale drawing

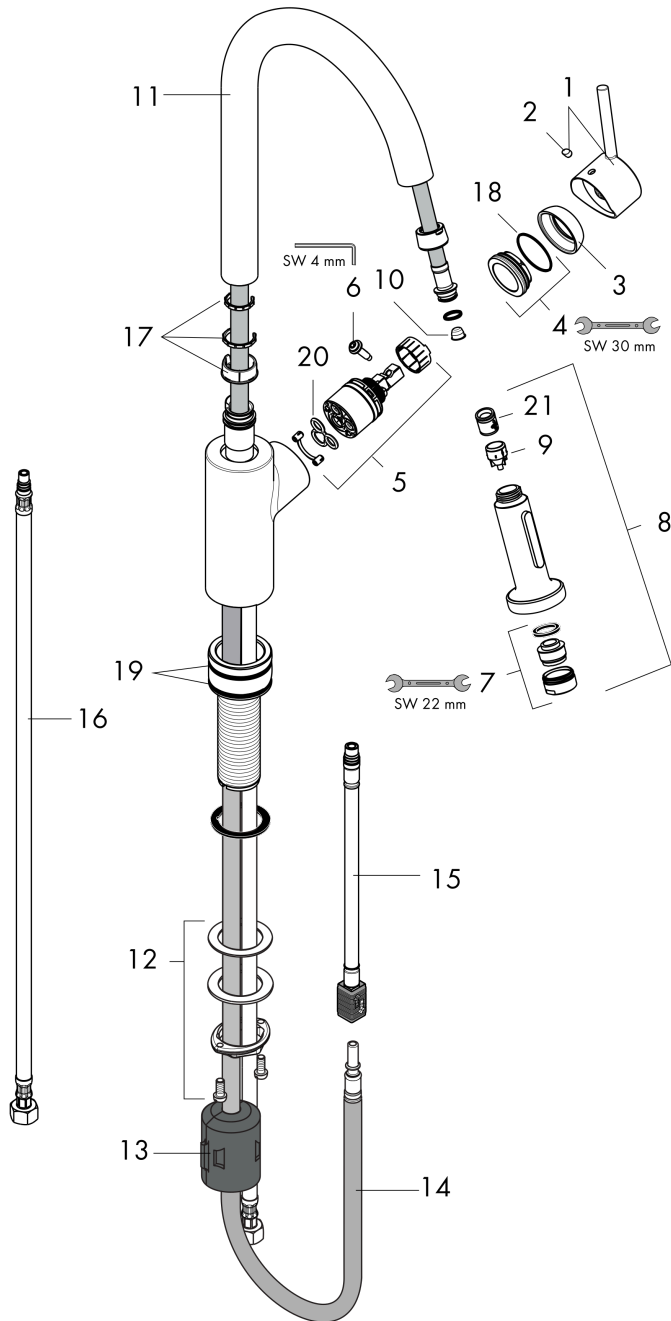


**Talis S<sup>2</sup>**  
**HighArc Kitchen Faucet 2-Spray Pull-Down, 1.75 GPM**  
 Finish: **chrome** Part no. : **14877001**



**Exploded drawing**

Year of production: >11/20



**Talis S<sup>2</sup>**  
**HighArc Kitchen Faucet 2-Spray Pull-Down, 1.75 GPM**  
 Finish: **chrome** Part no. : **14877001**



## Spare parts list

Year of production: >11/20

Pos.	Description	Part no.	Price	PU
1	handle	95560000	-	1
2	screw cover	96338000	-	1
3	flange	95498000	-	1
4	nut	97209000	-	1
5	cartridge, assy	92730000	-	1
6	locking screw for handle	95140000	-	1
7	aerator M24x1 (15 l/min)	13913000	-	1
8	spray head cpl.	88658000	-	1
9	set of non return valves DW 15	97350000	-	1
10	filter	97735000	-	1
11	spout cpl.	95562000	-	1
12	fixing set (Ø 34)	95049000	-	1
13	weight	98551000	-	1
14	hose 1,50 m	88624000	-	1
15	connection hose 600 mm M10x1	95561000	-	1
16	connection hose 35½" M8x0,75 3/8"	96316001	-	1
17	set of lever collars	98365000	-	1
18	O-Ring 32x2	98193000	-	1
19	O-ring 41x2	98212000	-	1
20	seal	95008000	-	1
21	non return valve	93218000	-	1