

**Metris**  
**HighArc Kitchen Faucet, 2-Spray Pull-Out, 1.75 GPM**  
 Finishes : **chrome** Part no. : **14820001**



## Description

### Features

- Swivel range 110° / 150°
- Laminar and needle spray
- Locking spray diverter (reverts to default spray mode upon valve closing)
- MagFit magnetic sprayhead docking
- Single-hole installation
- Flow: 1.75 GPM (6.6 L/Min)
- Ceramic cartridge
- 3/8" connections
- Integrated double backflow prevention

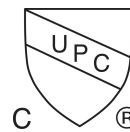
## Item details

List Price \$ 685.00

## Technology



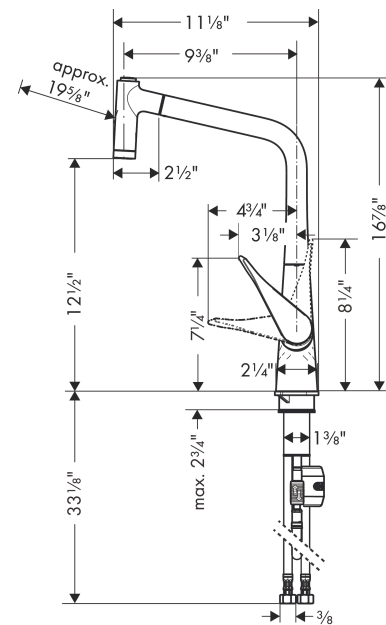
## Compliance



## Product image



## Scale drawing

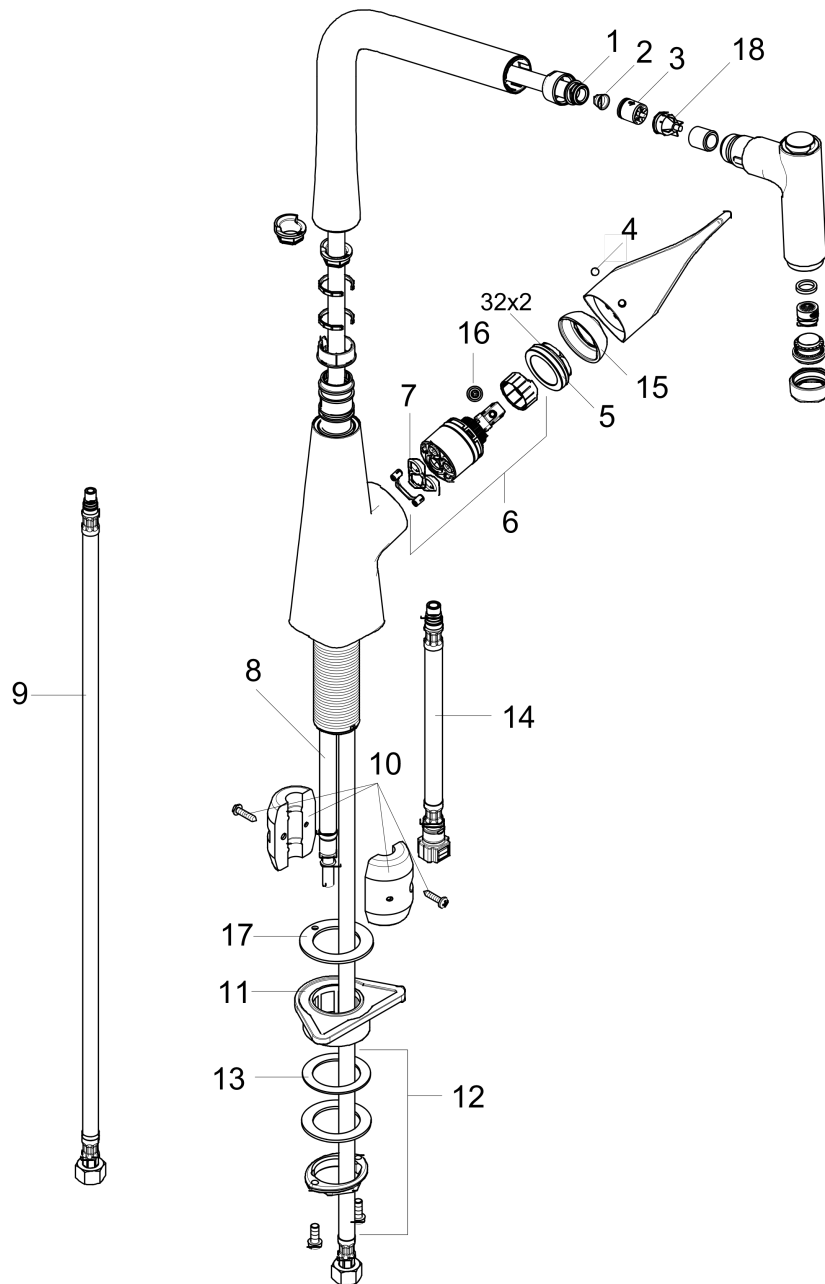


**Metris**  
**HighArc Kitchen Faucet, 2-Spray Pull-Out, 1.75 GPM**  
 Finishes : **chrome**    Part no. : **14820001**



Exploded drawing

Year of production: >11/15



## Metris

HighArc Kitchen Faucet, 2-Spray Pull-Out, 1.75 GPM

Finishes : **chrome** Part no. : **14820001**



### Spare parts list

Year of production: >11/15

Pos.	Description	Part no.	Price	PU
1	O-ring 11x2	98127000	-	1
2	filter	97735000	-	1
3	non return valve	93218000	-	1
4	screw cover	96338000	-	1
5	nut	97209000	-	1
6	cartridge, assy	92730000	-	1
7	seal	95008000	-	1
8	hose 1,50 m	88624000	-	1
9	connection hose 35½" M8x0,75 3/8"	96316001	-	1
10	weight	92500000	-	1
11	support	97523000	-	1
12	fixing set (Ø 34)	95049000	-	1
13	lever collar	97548000	-	1
14	connection hose 600 mm M10x1	95561000	-	1
15	flange	95498000	-	1
16	locking screw for handle	95140000	-	1
17	seal	92582000	-	1
18	non return valve	96737000	-	1
a	handle	98455000	-	1
b	handspray	98492001	-	1
c	spray former	92183000	-	1
d	spout cpl.	98491000	-	1
e	O-Ring 32x2	98193000	-	1