

Croma Select E
Wallbar Set 110 3-Jet 24", 2.5 GPM
 Finish: **chrome** Part no. : **04941000**



Description

Features

- Consists of: Handshower, Wallbar, Handshower hose, Shower hose, Wallbar
- Spray modes: SoftRain, IntenseRain, Pulsating Massage
- Select button for comfortable alternation of spray modes
- Angle-adjustable holder pivots left and right, slides easily and locks in place
- Max. flow: 2.5 GPM (9.5 L/Min)
- Wall mounted: Fastens with screws
- Profile stand pipe: round
- Stand pipe: 28 1/4"
- Shower bar diameter: 7/8"
- Pivot connector prevents hose from tangling

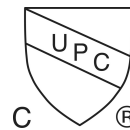
Item details

List Price \$ 275.00

Technology



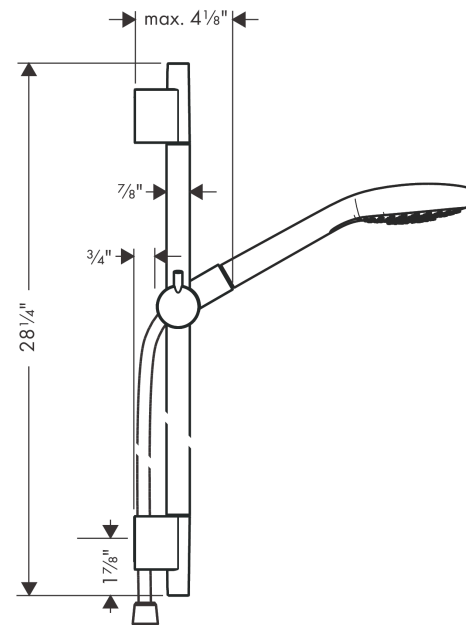
Compliance / Sustainability



Product image



Scale drawing

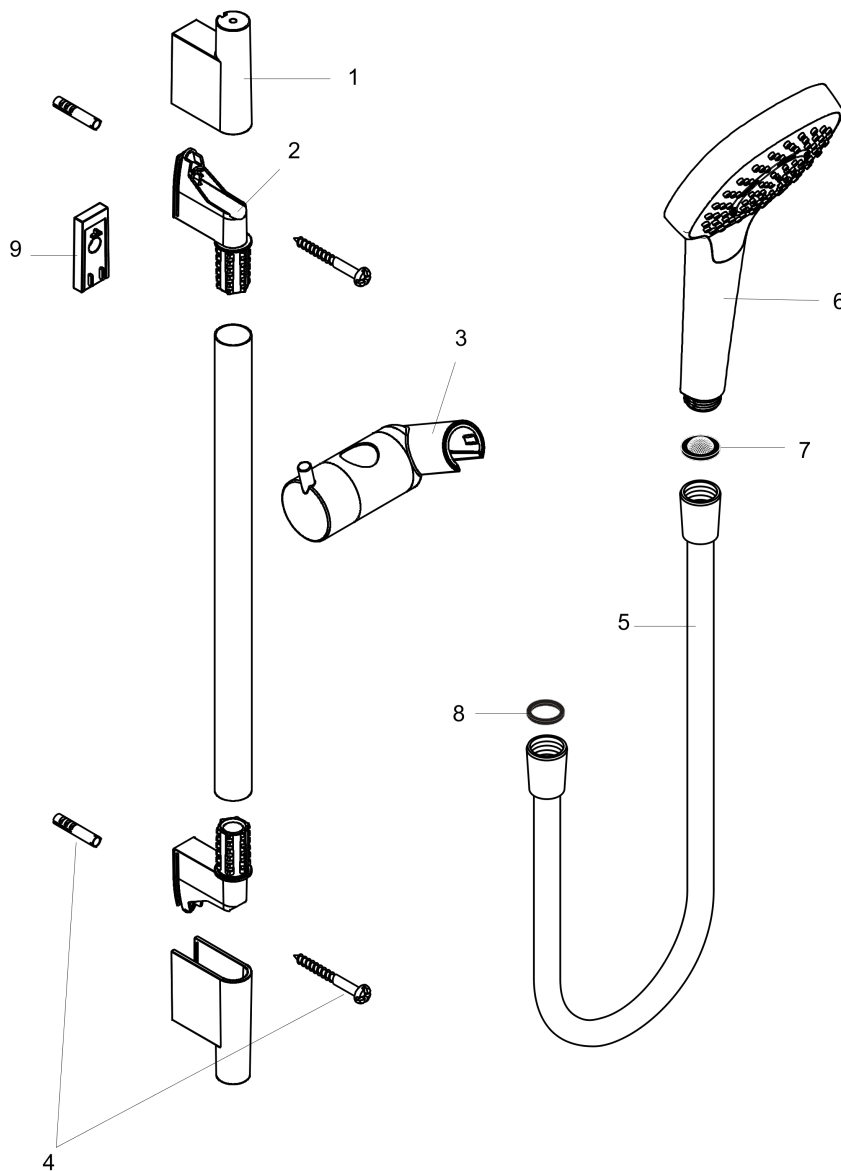


Croma Select E
Wallbar Set 110 3-Jet 24", 2.5 GPM
 Finish: **chrome** Part no. : **04941000**



Exploded drawing

Year of production: >01/21



Croma Select E
Wallbar Set 110 3-Jet 24", 2.5 GPM
 Finish: **chrome** Part no. : **04941000**



Spare parts list

Year of production: >01/21

Pos.	Description	Part no.	Price	PU
1	cover	97709000	-	1
2	wall support	96275000	-	1
3	support, assy	97651000	-	1
4	mounting set	96179000	-	1
5	shower hose 1,60 m	28276003	-	1
6	handshower	04948400	-	1
7	filter packing	94246000	-	1
8	seal	98058000	-	1
9	tile-matching-disk 7 mm	97450000	-	1