

Locarno
Thermostatic Trim with Volume Control and Diverter
 Finish: **chrome** Part no. : **04820000**



Description

Features

- Outlets may not be operated simultaneously
- Volume control and diverter for 2 functions
- Thermostatic cartridge
- Max. flow: 6.0 GPM (22.7 L/Min)
- Anti-scald 100° safety stop

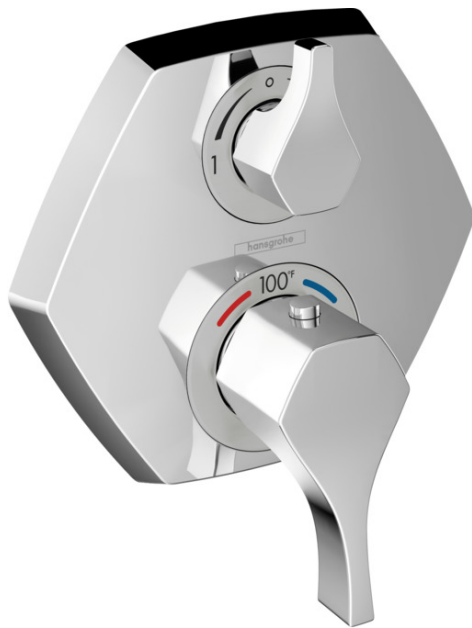
Item details

List Price \$ 630.00

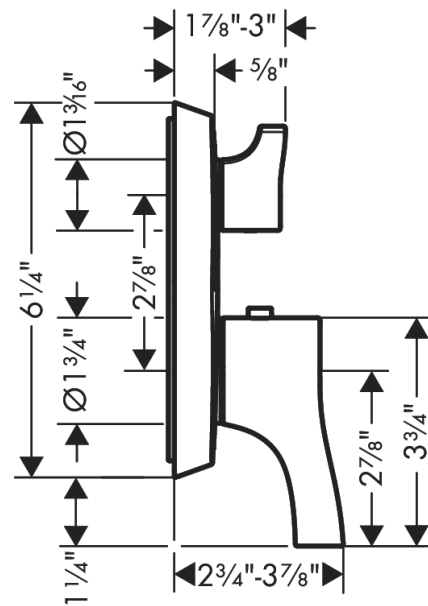
Compliance / Sustainability



Product image



Scale drawing



Locarno

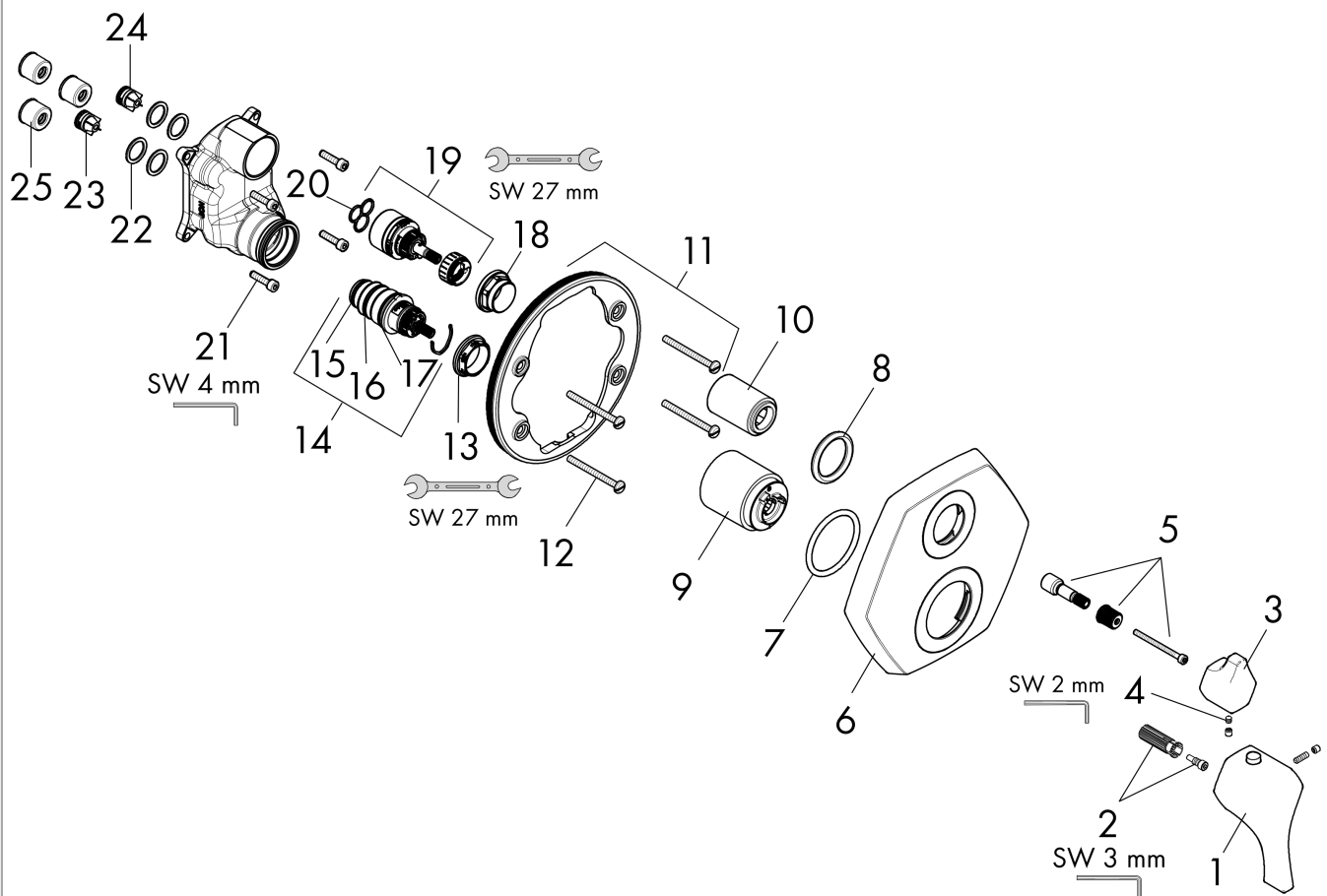
Thermostatic Trim with Volume Control and Diverter

Finish: **chrome** Part no. : **04820000**



Exploded drawing

Year of production: >02/21



Locarno

Thermostatic Trim with Volume Control and Diverter

Finish: **chrome** Part no. : **04820000**



Spare parts list

Year of production: >02/21

Pos.	Description	Part no.	Price	PU
1	handle for thermostat	93917000	-	1
2	handle fixing set	95843000	-	1
3	handle	93918000	-	1
4	hollow set screw M4x5	92846000	-	1
5	adapter for handle	95252001	-	1
6	escutcheon	93919000	-	1
7	O-ring 44x4	98471000	-	1
8	O-ring 30x5	98153000	-	1
9	sleeve	92216000	-	1
10	sleeve	95253000	-	1
11	holder for escutcheon	98793000	-	1
12	set of fixing screws	96454000	-	1
13	nut	98913000	-	1
14	thermostat cartridge	98282001	-	1
15	O-ring 20x1,5	98197000	-	1
16	O-ring 25x1,5	98146000	-	1
17	O-ring 25x2,5	92146000	-	1
18	nut	93605000	-	1
19	shut off unit with selector	98283000	-	1
20	seal	95008000	-	1
21	set of screws	96525000	-	1
22	O-ring 16x2	98133000	-	1
23	non return valve (pressure-resistant up to 2 MPa)	92594000	-	1
24	set of non return valves DW 15	97350000	-	1
25	noise reduction	94073000	-	1
a	O-ring 36x2	98156000	-	1
b	extension 25 mm	13595000	-	1
c	set of fixing screws	97747000	-	1
d	compensation set 1°	95521000	-	1
e	cartridge for exchanged connections	92373000	-	1