

Croma Select E
Croma Select E 110 SAMSet, 1.8 GPM
 Finish: **chrome** Part no. : **04789000**



Description

Features

- Consists of: Handshower, Handshower holder, Handshower hose, Handshower holder, Shower hose, Shower hose
- Integrated support function
- Spray modes: SoftRain, IntenseRain, Pulsating Massage
- Select button for comfortable alternation of spray modes
- Max. flow: 1.75 GPM (6.6 L/Min)
- Pivot connector prevents hose from tangling
- Shower holder of plastic
- Rinseable screen seal

Item details

List Price \$ 188.00

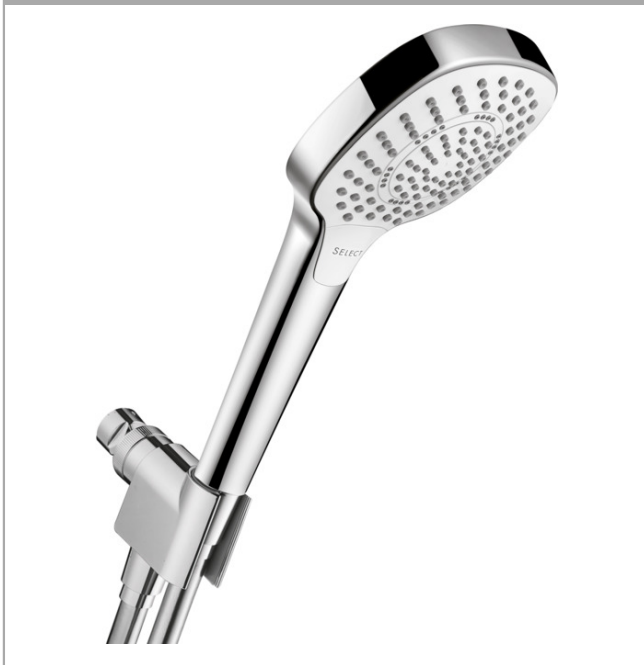
Technology



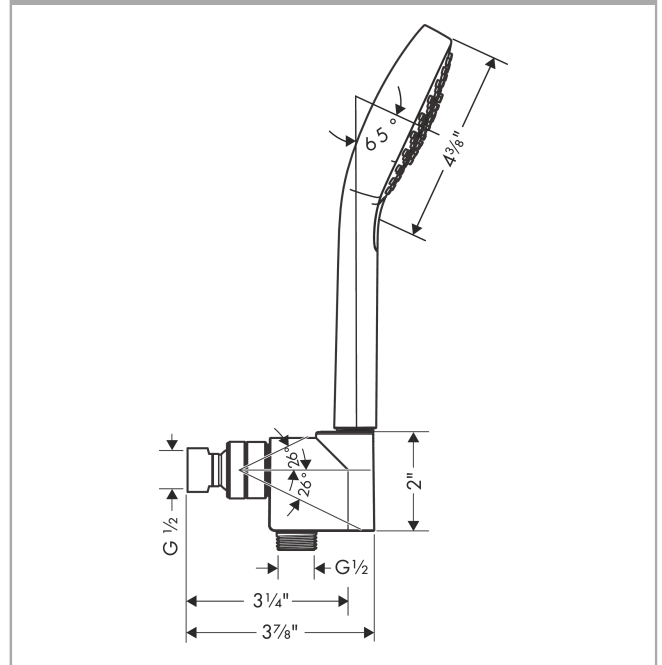
Compliance / Sustainability



Product image



Scale drawing

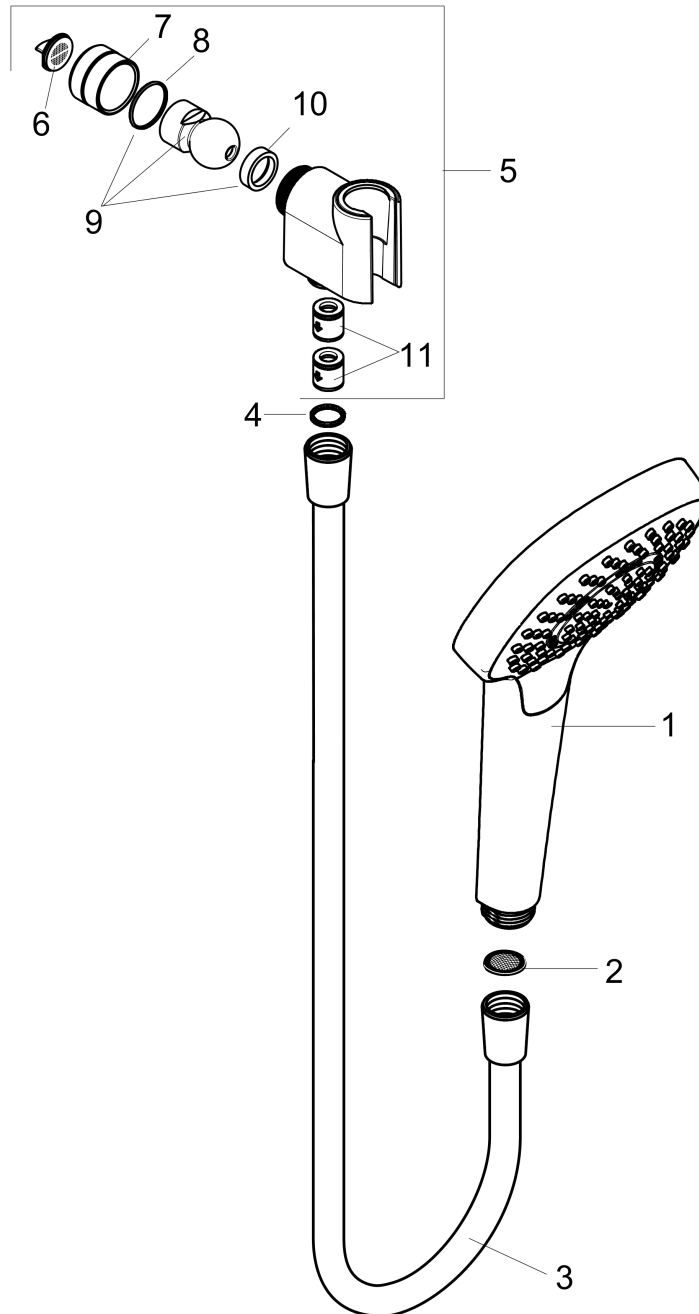


Croma Select E
Croma Select E 110 SAMSet, 1.8 GPM
 Finish: **chrome** Part no. : **04789000**



Exploded drawing

Year of production: 08/18 - 06/22



Croma Select E
Croma Select E 110 SAMSet, 1.8 GPM
 Finish: **chrome** Part no. : **04789000**



Spare parts list

Year of production: **08/18 - 06/22**

Pos.	Description	Part no.	Price	PU
1	handshower	04723400	-	1
2	filter packing	94246000	-	1
3	shower hose 1,60 m	28276003	-	1
4	seal	98058000	-	1
5	support	04580000	-	1
6	filter packing	88649000	-	1
7	nut	97958000	-	1
8	lever collar	97536000	-	1
9	ball joint	97331000	-	1
10	seal	97606000	-	1
11	set of non return valves DW 15	94074000	-	1