

**Croma Select S**  
**Handshower Set 3-Jet, 2.0 GPM**  
 Finishes : **chrome** Part no. : **04569000**



## Description

### Features

- consists of: Handshower, Handshower holder, Handshower hose
- Spray modes: SoftRain, IntenseRain, Pulsating Massage
- Select button for comfortable alternation of spray modes
- 26° adjustment
- Flow: 2.0 GPM (7.6 L/Min)

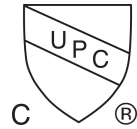
## Item details

List Price \$ 160.00

## Technology



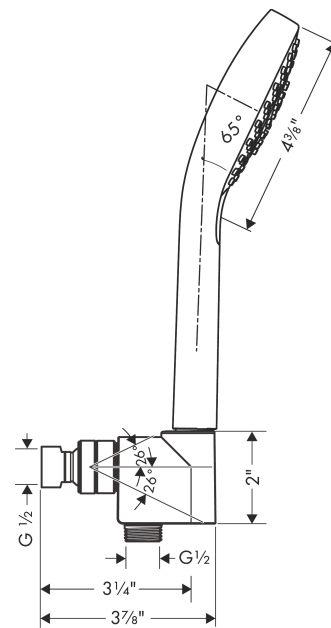
## Compliance



## Product image



## Scale drawing

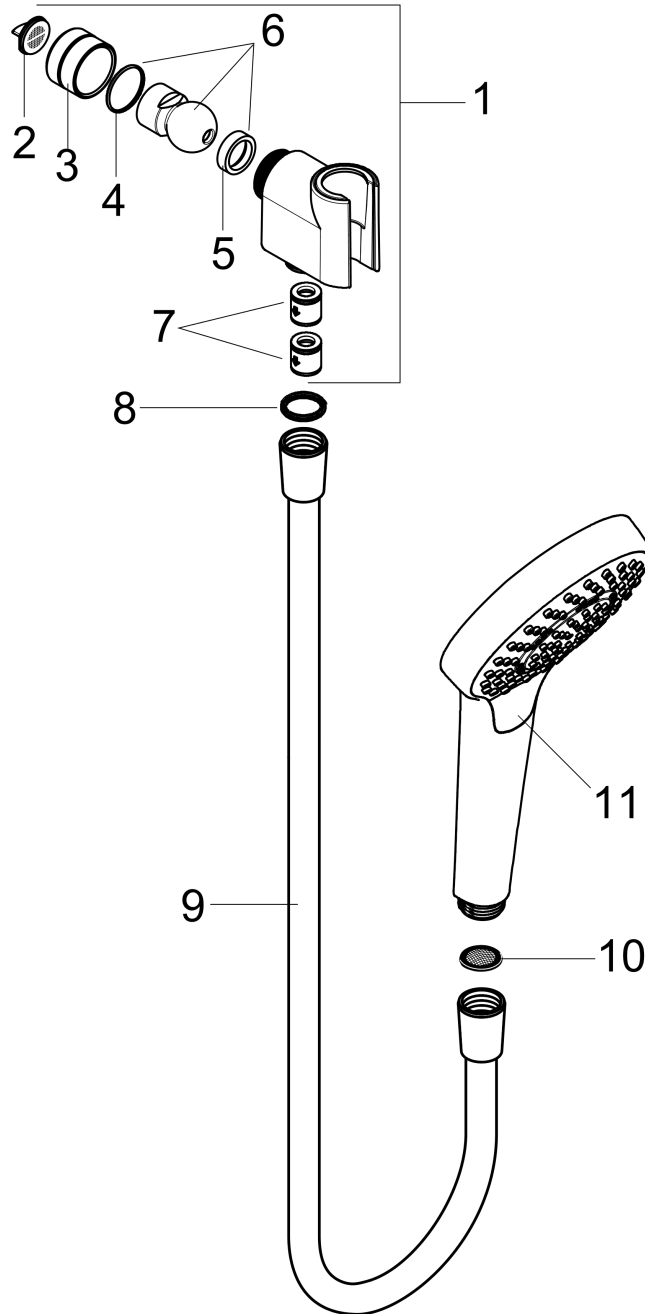


**Croma Select S**  
**Handshower Set 3-Jet, 2.0 GPM**  
Finishes : **chrome**    Part no. : **04569000**



Exploded drawing

Year of production: >04/19



**Croma Select S**  
**Handshower Set 3-Jet, 2.0 GPM**  
 Finishes : **chrome**    Part no. : **04569000**



## Spare parts list

Year of production: >04/19

| Pos. | Description                    | Part no. | Price | PU |
|------|--------------------------------|----------|-------|----|
| 1    | support                        | 04580000 | -     | 1  |
| 2    | filter packing                 | 88649000 | -     | 1  |
| 3    | nut                            | 97958000 | -     | 1  |
| 4    | lever collar                   | 97536000 | -     | 1  |
| 5    | seal                           | 97606000 | -     | 1  |
| 6    | ball joint                     | 97331000 | -     | 1  |
| 7    | set of non return valves DW 15 | 94074000 | -     | 1  |
| 8    | seal                           | 98058000 | -     | 1  |
| 9    | shower hose 1,60 m             | 28276003 | -     | 1  |
| 10   | filter packing                 | 94246000 | -     | 1  |
| 11   | handshower                     | 26801401 | -     | 1  |