

**Talis C**  
**Pot Filler, Wall-Mounted**  
 Finish: **Steel Optic** Part no. : **04218800**



**Description**

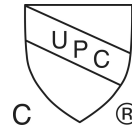
**Features**

- Swivel range 180°
- Aerated spray
- Wall-mounted
- For cold water connection only
- Max. flow: 2.5 GPM (9.5 L/Min)
- Ceramic valves 90°
- 1/2" NPT

**Item details**

List Price \$ 1,553.00

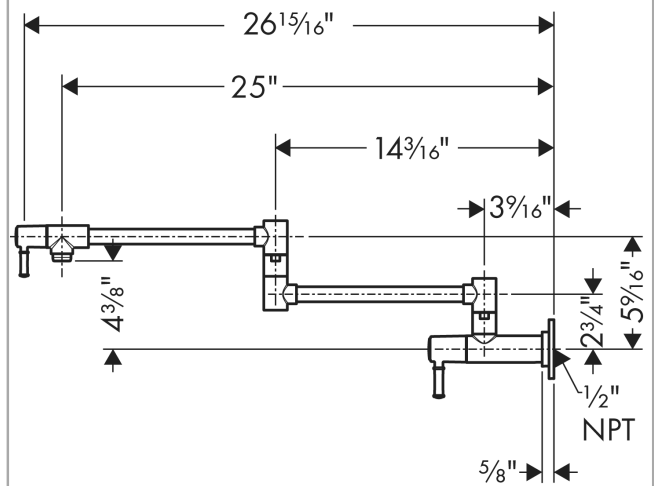
**Compliance / Sustainability**



**Product image**



**Scale drawing**

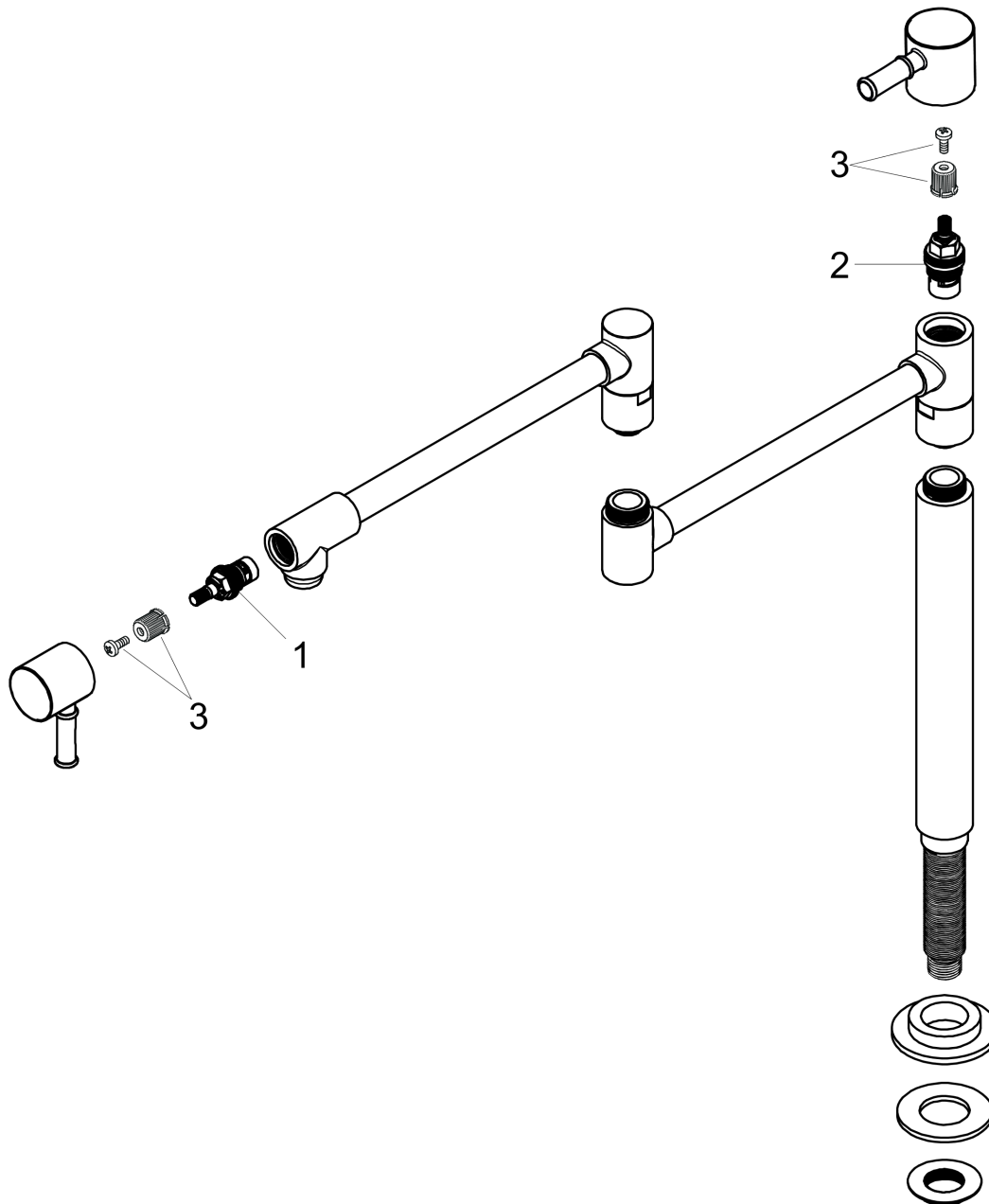


**Talis C**  
**Pot Filler, Wall-Mounted**  
 Finish: **Steel Optic** Part no. : **04218800**



Exploded drawing

Year of production: >07/10



**Talis C**  
**Pot Filler, Wall-Mounted**  
 Finish: **Steel Optic** Part no. : **04218800**



**Spare parts list**

Year of production: >07/10

Pos.	Description	Part no.	Price	PU
1	shut off unit	88789000	-	1
2	shut off unit	88790000	-	1
3	handle fixing set	98932000	-	1