

## Hotel Collection

# Topmount Round Prep Sink Model HOT-18RT



HOT-18RT

### FEATURES

- Premium grade T-304 stainless steel
- 7" depth
- 20 gauge
- StoneShield undercoating over Sound Deadening pad
- Lustrous satin with highlighted rim
- Fits 36" sink base
- 3-1/2" drain opening
- Supplied with fasteners and instructions
- Complies with ASME A112.19.3-2008, cUPC®
- Lifetime Limited Warranty



ASME A112.19.3-2008

**TYPE 304**  
PREMIUM STAINLESS STEEL

**SOUND**  
DEADENING PADS

**StoneShield™**  
UNDERCOAT PROTECTION

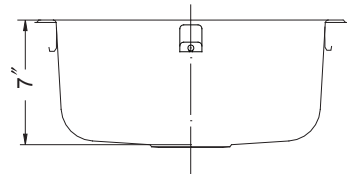
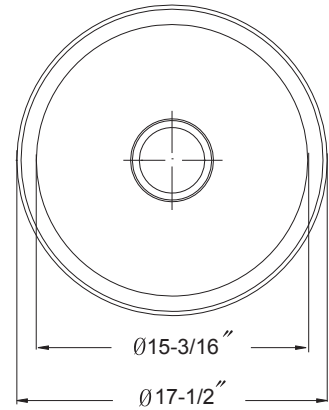
**Lifetime**  
Warranty

### OPTIONAL ACCESSORIES

Bottom Grid: BG-1800

Cutting Board : CB-1800

Strainer: 190-9180



OVERALL DIMENSIONS	EACH BOWL	CUTOUT SIZE	PACKAGING*	WEIGHT*
Ø17-1/2"	Ø15-3/16"	Ø15-11/16"	1/32/40 pcs.	10/360/380 lbs.

\*Standard packaging: Single boxed /Pallet of single boxed/Pallet of bulk pack.  
All dimensions are in inches. Specifications subject to change without notice.

Project/Job name \_\_\_\_\_

Architect/Engineer \_\_\_\_\_

Contractor \_\_\_\_\_

Model \_\_\_\_\_ Q'ty \_\_\_\_\_

Notes \_\_\_\_\_

### Installation profile

