

## Vitality Collection

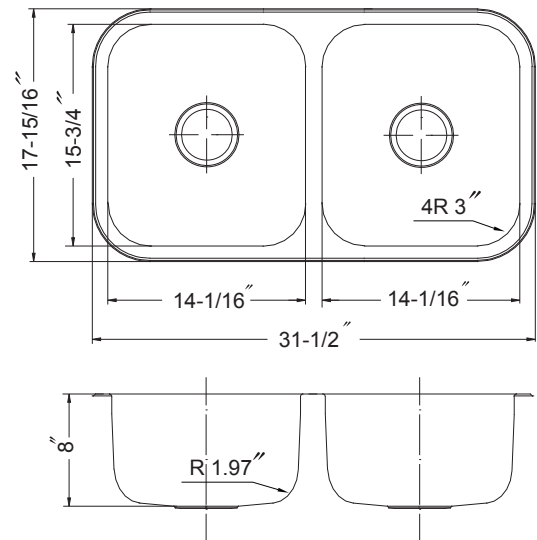
# Undermount 50/50 Double Bowl Model VIT-3218D



VIT-3218D

### FEATURES

- Premium grade T-304 stainless steel
- 8" depth • 20 gauge
- StoneShield undercoating over Sound Deadening pad
- Spexedge
- Lustrous satin with highlighted rim
- Fits 36" sink base • 3-1/2" drain opening
- Supplied with cutout template, fasteners and instructions
- Complies with ASME A112.19.3-2008, cUPC®
- Lifetime Limited Warranty



### OPTIONAL ACCESSORIES

Bottom Grid: SWG-1214

Cutting Board : CUT-1517

Strainer: BAS-2000-SS

OVERALL DIMENSIONS	EACH BOWL	CUTOUT SIZE	PACKAGING*	WEIGHT*
31-1/2" x 17-15/16"	14-1/16" x 15-3/4"	See Template	1/16/20 pcs.	18/320/340 lbs.

\*Standard packaging: Single boxed /Pallet of single boxed/Pallet of bulk pack.  
All dimensions are in inches. Specifications subject to change without notice.

Project/Job name

Architect/Engineer

Contractor

Model Q'ty

Notes

### Installation profile

