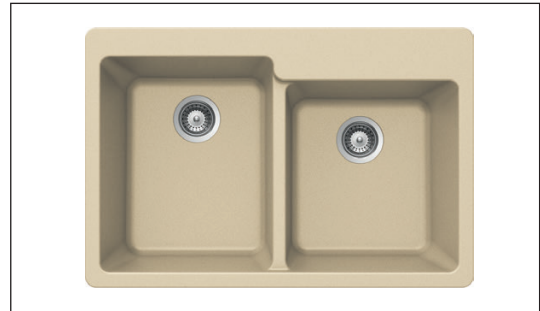


Siostone Collection

Topmount 60/40 Double Bowl Model SIO-3322DTR



SIO-3322DTR

FEATURES

- 80% quartz
- 9-1/2" depth • Pre-scored up to 4 faucet holes
- Intrinsically hygienic Non-porous surface
- Natural, antibacterial hygiene protection system
- Silky to the touch, 3 times harder than natural granite
- Food-safe, UV-stable-will not fade
- Heat resistance to +500°F
- Highest resistance to thermal shock, scratches and chips
- Color-fast throughout
- Fits 36" sink base • cUPC listed
- Supplied with cutout template, fasteners and instructions
- 1 year Limited Warranty



ASME A112.19.3-2008

OPTIONAL COLORS



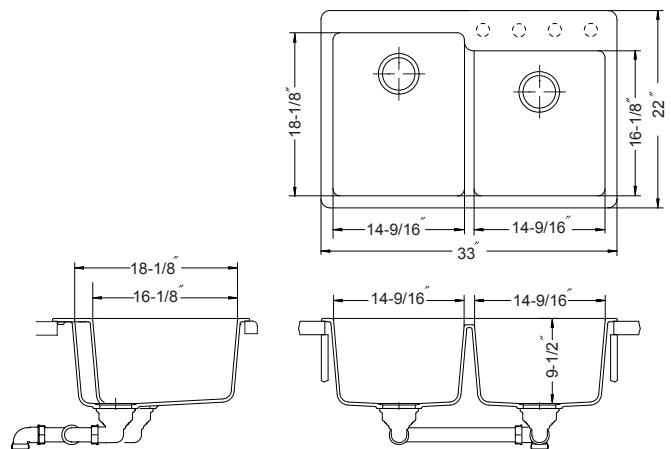
Midnite
Metallic

Mocha
Solid

Earth
Structured

Sand
Solid

Cloud
Solid



OVERALL DIMENSIONS	EACH BOWL	CUTOUT SIZE	PACKAGING*	WEIGHT*
33" x 22"	14-9/16" x 18-1/8" 14-9/16" x 16-1/8"	See Template	1/10 pcs.	51/550lbs.

*Standard packaging: Single boxed /Pallet of single boxed.

All dimensions are in inches. Specifications subject to change without notice.

OPTIONAL ACCESSORIES

Bottom Grid: CWG-1317(large bowl),
CWG-1315(small bowl)

Cutting Board : CUT-1518

Strainer Options: Stainless steel strainers,
Color strainers, Color Disposal flanges

Project/Job name _____

Architect/Engineer _____

Contractor _____

Model _____ Q'ty _____

Notes _____