

Siostone Collection

Apron Front Workstation Single Bowl

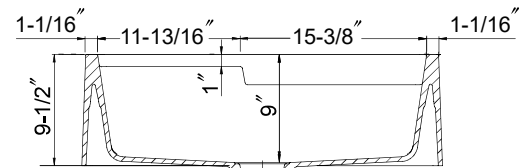
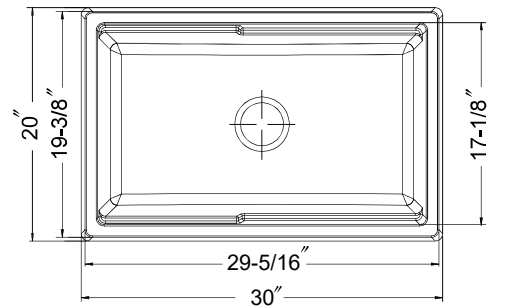
- Model SIO-3020SAW-BL - Black**
SIO-3020SAW-MO - Mocha
SIO-3020SAW-SD - Sand
SIO-3020SAW-SL - Slate
SIO-3020SAW-WH - White



FEATURES

- 80% quartz • 3 1/2" center drain opening
- Reversible – high side ledge can be on left or right
- 9" interior depth • Dual level work ledge
- Inherently hygienic Non-porous surface
- Antibacterial protection with silver ion Microstop
- Silky to the touch, 3 times harder than natural granite
- Food-safe, UV-stable-will not fade • Color-fast throughout
- Heat resistance to +500°F • Available in 5 colors
- Highest resistance to thermal shock, scratches and chips
- Includes: Wood cutting board, drying tray, multi-purpose roll-up matt, bottom grid, and basket strainer
- Ariapure features odor and pollutant disinfection
- Requires custom cabinet
- Limited Lifetime Warranty

SIO-3020SAW



OPTIONAL COLORS



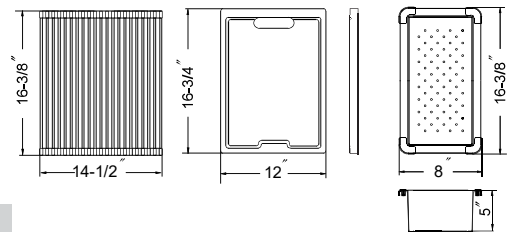
Sand

Mocha

Black

White

Slate



OVERALL DIMENSIONS	EACH BOWL	CUTOUT SIZE	PACKAGING*	WEIGHT*
30" x 20"	27-3/16" x 17-1/8"	See Template	1/20 pcs.	58/620lbs.

*Standard packaging: Single boxed /Pallet of single boxed.
 All dimensions are in inches. Specifications subject to change without notice.

OPTIONAL ACCESSORIES

- Bottom Grid: CWG-2514 Drying Tray: DRY-817
 Cutting Board : CUT-1317 Roll-Up Mat: ROL-1517
 Strainer: BAS-2000-SS

Project/Job name _____

Architect/Engineer _____

Contractor _____

Model _____ Qty _____

Notes _____