

**Revive Collection**

**Topmount 50/50 Double Bowl**

**Model REV-3322DT-8-3** 3 holes

**REV-3322DT-8-4** 4 holes



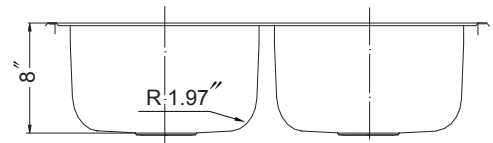
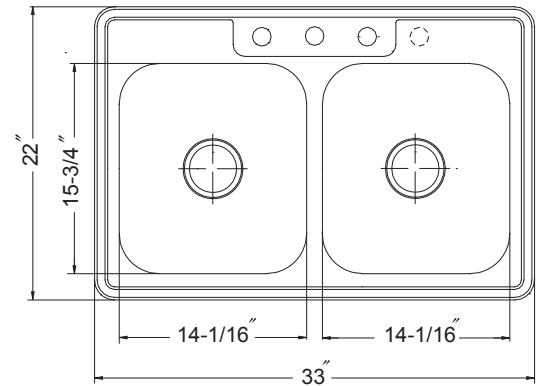
REV-3322DT-8

**FEATURES**

- Premium grade T-304 stainless steel
- 8" depth
- 20 gauge
- 3 or 4 holes
- StoneShield undercoating over Sound Deadening pad
- Fits 36" sink base
- 3-1/2" drain opening
- Supplied with fasteners and instructions
- Complies with ASME A112.19.3-2008, cUPC®
- Lifetime Limited Warranty



ASME A112.19.3-2008



**OPTIONAL ACCESSORIES**

Bottom Grid: SWG-1214

Cutting Board : CUT-1517

Strainer: BAS-2000-SS

OVERALL DIMENSIONS	EACH BOWL	CUTOUT SIZE	PACKAGING*	WEIGHT*
33" x 22"	14-1/16" x 15-3/4"	32-1/4" x 21-1/4"	1/16/36 pcs.	17/310/480 lbs.

\*Standard packaging: Single boxed /Pallet of single boxed/Pallet of bulk pack.  
All dimensions are in inches. Specifications subject to change without notice.

Project/Job name

Architect/Engineer

Contractor

Model Q'ty

Notes

**Installation profile**

