

Revive Collection

Topmount Single Bowl

Model REV-2522ST-8-3 3 holes

REV-2522ST-8-4 4 holes



REV-2522ST-8

FEATURES

- Premium grade T-304 stainless steel
- 8" depth • 20 gauge • 3 or 4 holes
- StoneShield undercoating over Sound Deadening pad
- Lustrous satin with highlighted rim
- Fits 30" sink base
- 3-1/2" drain opening
- Supplied with fasteners and instructions
- Complies with ASME A112.19.3-2008, cUPC®
- Lifetime Limited Warranty



ASME A112.19.3-2008



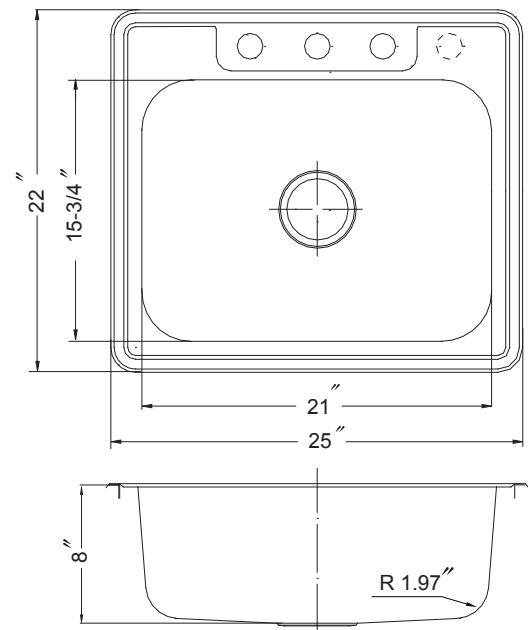
OPTIONAL ACCESSORIES

Bottom Grid: SWG-2014

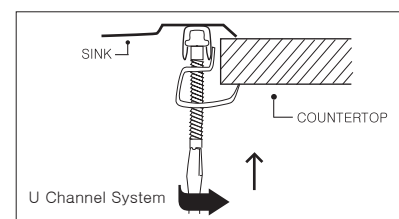
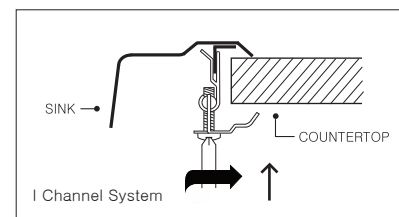
Cutting Board : CUT-1417

Rinsing Basket : RIN-20156

Strainer: BAS-2000-SS



Installation profile



OVERALL DIMENSIONS	EACH BOWL	CUTOUT SIZE	PACKAGING*	WEIGHT*
25" x 22"	21" x 15-3/4"	24-1/4" x 21-1/4"	1/16/36 pcs.	12/230/380 lbs.

*Standard packaging: Single boxed /Pallet of single boxed/Pallet of bulk pack.
All dimensions are in inches. Specifications subject to change without notice.

Project/Job name

Architect/Engineer

Contractor

Model Q'ty

Notes