

Rendezvous Collection
10mm Radius Undermount
Large Single Bowl
 Sliding Platform System
Model : REN-16-3218S



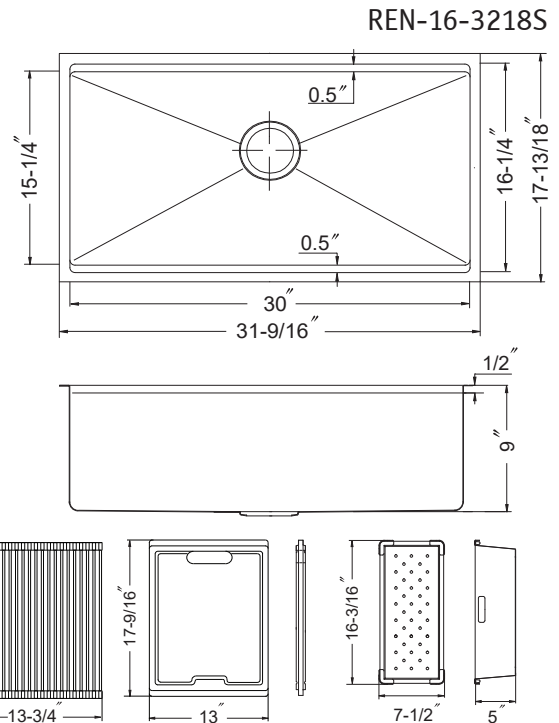
FEATURES

- Premium grade T-304 stainless steel
- Handmade sink with scored bottom
- 9" depth • 16 gauge
- TotalGuard+ Insulation over Sound Deadening Pads
- StoneShield Undercoating
- Brushed satin, rear-set drain
- 3-1/2" drain opening
- Fits 36" sink base
- Supplied with cutout template, fasteners and instructions
- Includes : Wood Cutting Board, Drying Tray, Multi-Purpose Roll-Up Mat, Bottom grid, Stainless Steel Basket Strainer.
- Lifetime Limited Warranty



OPTIONAL ACCESSORIES

Bottom Grid: SWG-3015 Drying Tray: DRY-716
 Cutting Board : CUT-1418 Roll-Up Mat: ROL-1416
 Strainer: BAS-2000-SS



OVERALL DIMENSIONS	EACH BOWL	CUTOUT SIZE	PACKAGING*	WEIGHT*
31-9/16" x 17-13/16"	30" x 15-1/4"	See Template	1/12 pcs.	37/484 lbs.

*Standard packaging: Single boxed /Pallet of single boxed.
 All dimensions are in inches. Specifications subject to change without notice.

Project/Job name _____

Architect/Engineer _____

Contractor _____

Model	Qty

Notes _____

Installation profile

