

Breckenridge Copper

Hand-Hammered Copper and Pewter Sinks

Realm Round Double Wall Vessel Sink

Model **REA-17RVES-AC**

REA-17RVES-PW

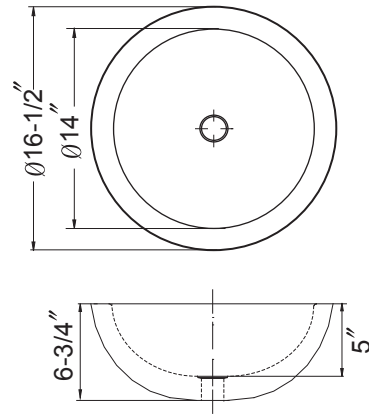


FEATURES

- Round double wall vessel sink
- 16-1/2" OD
- 5" depth
- 1-1/2" drain opening

Model information

- **REA-17RVES-AC** Round Double Wall, Antique copper w/ overflow
- **REA-17RVES-PW** Round Double Wall, Lustrous pewter w/ overflow



Installation information

Your Hammerwerks® Hand-Hammered Copper sink is individually hand-crafted and not the product of assembly-line specifications. Every sink is unique and therefore a variance of approximately 1/4" in dimensions is usual. We recommend receiving your specific sink and measuring before cutting your countertop to ensure proper fit.

| OVERALL DIMENSIONS | EACH BOWL | CUTOUT SIZE | PACKAGING* | WEIGHT* |
|--------------------|-----------|-------------|------------|-------------|
| Ø16-1/2" | Ø14" | | 1/16 pcs. | 14/264 lbs. |

*Standard packaging: Single boxed /Pallet of single boxed.

All dimensions are in inches. Specifications subject to change without notice.

Project/Job name _____

Architect/Engineer _____

Contractor _____

Model _____ Q'ty _____

Notes _____