

## Prizm Collection

### Zero Radius Undermount 70/30 Double Bowl

**Model PRI-3318DR** as shown

**PRI-3318DL** small bowl left



PRI-3318DR

#### FEATURES

- Premium grade T-304 stainless steel
- 10" & 8" depth • 18 gauge
- Totalguard+ insulation
- True zero radius ledge and bottom
- Brushed satin, rear-set drain • 3-1/2" drain opening
- Fits 36" sink base
- Supplied with cutout template, fasteners and instructions
- Complies with ASME A112.19.3-2008, cUPC®
- Lifetime Limited Warranty



ASME A112.19.3-2008

**TYPE 304**  
PREMIUM STAINLESS STEEL

**Totalguard+**  
EPOXY RESIN INSULATION

**SOUND**  
DEADENING PADS

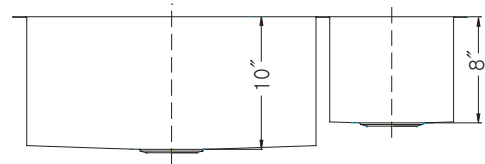
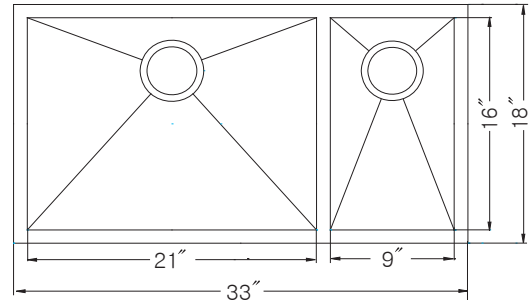
**Lifetime**  
Warranty

#### OPTIONAL ACCESSORIES

Bottom Grid: SWG-2116 & SWG-916

Cutting Board : CUT-1518

Strainer: BAS-2000-SS



| OVERALL DIMENSIONS | EACH BOWL             | CUTOUT SIZE  | PACKAGING* | WEIGHT*     |
|--------------------|-----------------------|--------------|------------|-------------|
| 33" x 18"          | 21" x 16"<br>9" x 16" | See Template | 1/12 pcs.  | 37/480 lbs. |

\*Standard packaging: Single boxed /Pallet of single boxed.

All dimensions are in inches. Specifications subject to change without notice.

Project/Job name \_\_\_\_\_

Architect/Engineer \_\_\_\_\_

Contractor \_\_\_\_\_

Model \_\_\_\_\_ Q'ty \_\_\_\_\_

Notes \_\_\_\_\_

#### Installation profile

