

Prizm Collection

Zero Radius Undermount Single Bowl Model PRI-2318S



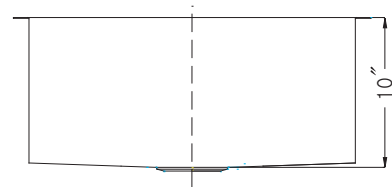
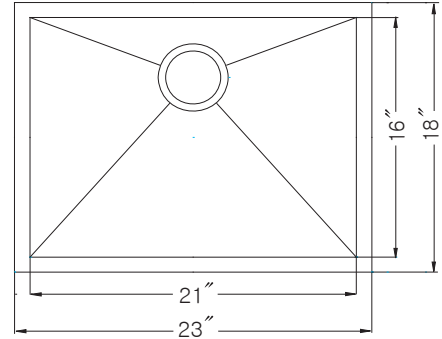
PRI-2318S

FEATURES

- Premium grade T-304 stainless steel
- 10" depth • 18 gauge
- Totalguard+ insulation
- True zero radius ledge and bottom
- Brushed satin, rear-set drain • 3-1/2" drain opening
- Fits 30" sink base
- Supplied with cutout template, fasteners and instructions
- Complies with ASME A112.19.3-2008, cUPC®
- Lifetime Limited Warranty



ASME A112.19.3-2008



OPTIONAL ACCESSORIES

- Bottom Grid: SWG-2116
- Cutting Board : CUT-1518
- Strainer: BAS-2000-SS

OVERALL DIMENSIONS	EACH BOWL	CUTOUT SIZE	PACKAGING*	WEIGHT*
23" x 18"	21" x 16"	See Template	1/12 pcs.	25/450 lbs.

*Standard packaging: Single boxed /Pallet of single boxed.
All dimensions are in inches. Specifications subject to change without notice.

Project/Job name _____

Architect/Engineer _____

Contractor _____

Model _____ Q'ty _____

Notes _____

Installation profile

