

## Breckenridge Copper

Hand-Hammered Copper and Pewter Sinks

### Noel Concave Undermount Lavatory Sink

Model **NOE-2117-AC**

**NOE-2117-PW**

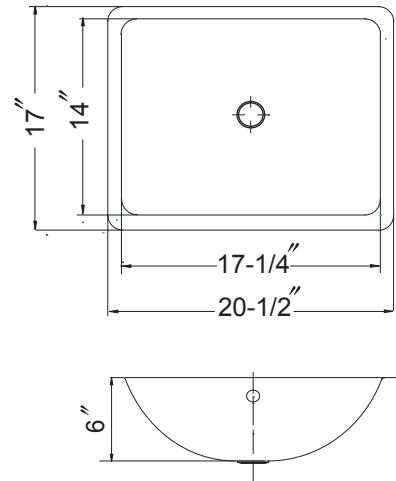


#### FEATURES

- Concave Undermount Lavatory sink
- 20-1/2" x 17" overall
- 6" depth
- 1-1/2" drain opening

#### Model information

- **NOE-2117-AC** Concave Undermount, Antique copper w/ overflow
- **NOE-2117-PW** Concave Undermount, Lustrous pewter w/ overflow



#### Installation information

Your Hammerwerks® Hand-Hammered Copper sink is individually hand-crafted and not the product of assembly-line specifications. Every sink is unique and therefore a variance of approximately 1/4" in dimensions is usual. We recommend receiving your specific sink and measuring before cutting your countertop to ensure proper fit.

OVERALL DIMENSIONS	EACH BOWL	CUTOUT SIZE	PACKAGING*	WEIGHT*
20-1/2" x 17"	17-1/4" x 14"	See Template	1/16 pcs.	15/280 lbs.

\*Standard packaging: Single boxed /Pallet of single boxed.

All dimensions are in inches. Specifications subject to change without notice.

Project/Job name \_\_\_\_\_

Architect/Engineer \_\_\_\_\_

Contractor \_\_\_\_\_

Model \_\_\_\_\_ Q'ty \_\_\_\_\_

Notes \_\_\_\_\_