

Enterprise Collection

Undermount 60/40 Double Bowl

Model **ENT-3220DR** as shown

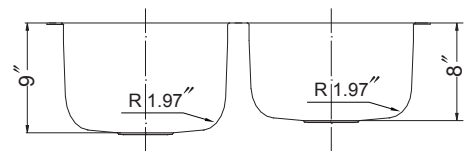
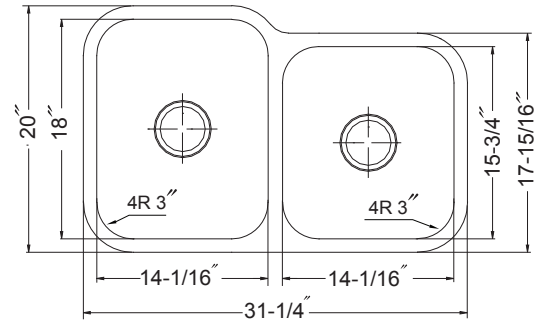
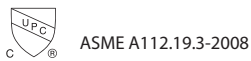
ENT-3220DL small bowl left



FEATURES

ENT-3220DR

- Premium grade T-304 stainless steel
- 9" & 8" depth • 18 gauge
- StoneShield undercoating over Sound Deadening pad
- Lustrous satin with highlighted rim
- Fits 36" sink base
- 3-1/2" drain opening
- Supplied with cutout template, fasteners and instructions
- cUPC® Listed
- 10 year Limited Warranty



OPTIONAL ACCESSORIES

Bottom Grid: SWG-1214 & SWG-1215

Cutting Board : CUT-1517

Strainer: BAS-2000-SS

OVERALL DIMENSIONS	EACH BOWL	CUTOUT SIZE	PACKAGING*	WEIGHT*
31-1/4" x 20"	14-1/16" x 18" 14-1/16" x 15-3/4"	See Template	1/16/5/20 pcs.	22/350/120/400 lbs.

*Standard packaging: Single boxed /Pallet of single boxed/Pallet of bulk pack/Pallet of bulk pack.
All dimensions are in inches. Specifications subject to change without notice.

Project/Job name _____

Architect/Engineer _____

Contractor _____

Model _____ Q'ty _____

Notes _____

Installation profile

