

Enterprise Collection

Undermount Single Bowl Model ENT-2422D



FEATURES

- Premium grade T-304 stainless steel
- 9" depth • 18 gauge
- StoneShield undercoating over Sound Deadening pad
- Lustrous satin with highlighted rim
- Fits 30" sink base
- 3-1/2" drain opening
- Supplied with cutout template, fasteners and instructions
- cUPC® Listed
- 10 year Limited Warranty

ENT-2422D

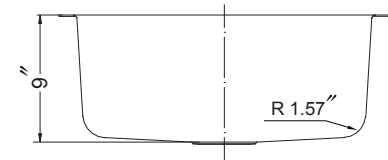
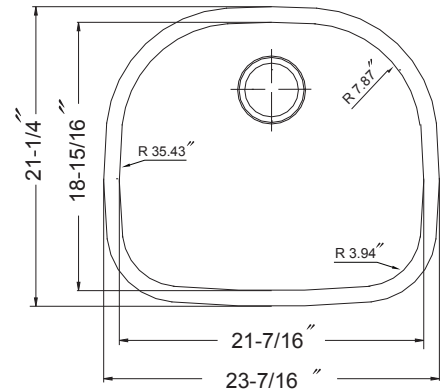


ASME A112.19.3-2008

TYPE 304
PREMIUM STAINLESS STEEL

StoneShield™
UNDERCOATING PROTECTION

SOUND
DEADENING PADS



OPTIONAL ACCESSORIES

Bottom Grid: SWG-2018D

Cutting Board : CUT-1421D

Rinsing Basket: RIN-19176

Strainer: BAS-2000-SS

OVERALL DIMENSIONS	EACH BOWL	CUTOUT SIZE	PACKAGING*	WEIGHT*
23-7/16" x 21-1/4"	21-7/16" x 18-15/16"	See Template	1/16/5/20 pcs.	17/310/100/330 lbs.

*Standard packaging: Single boxed /Pallet of single boxed/Pallet of bulk pack/Pallet of bulk pack.
All dimensions are in inches. Specifications subject to change without notice.

Project/Job name _____

Architect/Engineer _____

Contractor _____

Model _____ Q'ty _____

Notes _____

Installation profile

