

Designer Collection

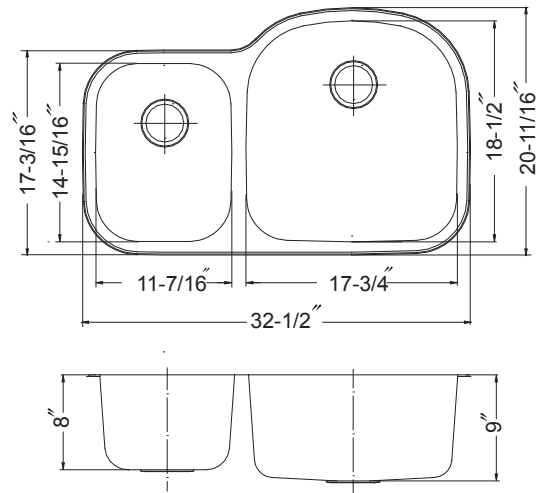
Undermount 70/30 Double Bowl Model DES-3322DL



FEATURES

DES-3322DL

- Premium grade T-304 stainless steel
- 9" & 7" depth • 18 gauge
- StoneShield undercoating over Sound Deadening pad
- Spexedge
- Lustrous satin with highlighted rim
- Fits 36" sink base • 3-1/2" drain opening
- Supplied with cutout template, fasteners and instructions
- Complies with ASME A112.19.3-2008, UPC®
- Lifetime Limited Warranty



ASME A112.19.3-2008



OPTIONAL ACCESSORIES

Bottom Grid: SWG-1617D & SWG-1014

Colander : COL-12158

Cutting Board : CUT-1420D

Strainer: BAS-2000-SS

OVERALL DIMENSIONS	EACH BOWL	CUTOUT SIZE	PACKAGING*	WEIGHT*
32-1/2" x 20-11/16"	17-3/4" x 18-1/2" 11-1/16" x 14-15/16"	See Template	1/16/20 pcs.	22/390/420 lbs.

*Standard packaging: Single boxed /Pallet of single boxed/Pallet of bulk pack.
All dimensions are in inches. Specifications subject to change without notice.

Project/Job name _____

Architect/Engineer _____

Contractor _____

Model _____ Q'ty _____

Notes _____

Installation profile

