

Designer Collection

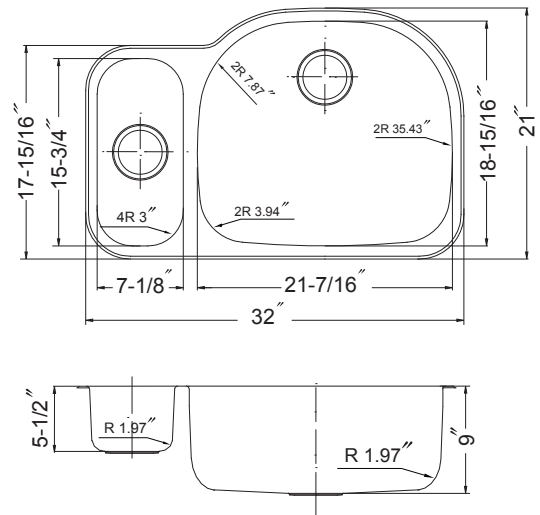
Undermount 80/20 Double Bowl Model DES-3221DL



DES-3221DL

FEATURES

- Premium grade T-304 stainless steel
- 9" & 5-1/2" depth • 18 gauge
- StoneShield undercoating over Sound Deadening pad
- Lustrous satin with highlighted rim
- Fits 36" sink base
- 3-1/2" drain opening
- Supplied with cutout template, fasteners and instructions
- Complies with ASME A112.19.3-2008, cUPC®
- Lifetime Limited Warranty



ASME A112.19.3-2008



OPTIONAL ACCESSORIES

Bottom Grid: SWG-715 & SWG-2018D Rinsing Basket: RIN-19176
 Cutting Board : CUT-1421D Strainer: BAS-2000-SS
 Colander : COL-8156

OVERALL DIMENSIONS	EACH BOWL	CUTOUT SIZE	PACKAGING*	WEIGHT*
32" x 21"	21-7/16" x 18-15/16" 7-1/8" x 15-3/4"	See Template	1/16/20 pcs.	22/390/3420lbs.

*Standard packaging: Single boxed /Pallet of single boxed/Pallet of bulk pack.
 All dimensions are in inches. Specifications subject to change without notice.

Project/Job name _____

Architect/Engineer _____

Contractor _____

Model _____ Q'ty _____

Notes _____

Installation profile

