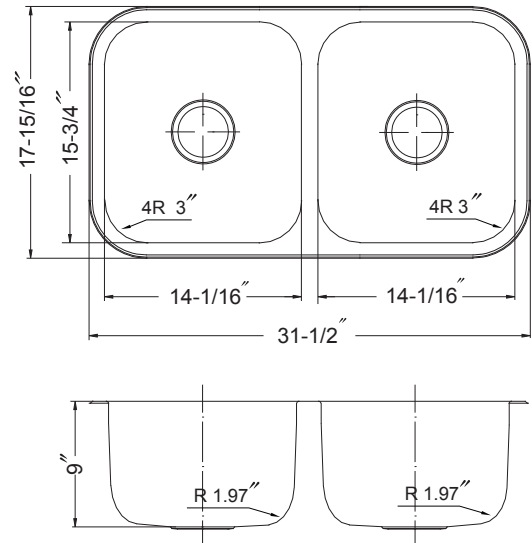


**MEDALLION CLASSIC SERIES**
**Undermount 50/50 Double Bowl  
 Model CLA-3218D**


CLA-3218D

**FEATURES**

- Premium grade T-304 stainless steel
- 9" depth • 18 gauge
- StoneShield undercoating over Sound Deadening pad
- Spexedge
- Lustrous satin with highlighted rim
- Fits 36" sink base • 3-1/2" drain opening
- Supplied with cutout template, fasteners and instructions
- Complies with ASME A112.19.3-2000, cUPC®
- Lifetime Limited Warranty



ASME A112.19.3-2008


**OPTIONAL ACCESSORIES**

Bottom Grid: SWG-1214

Cutting Board : CUT-1517

Strainer: BAS-2000-SS

OVERALL DIMENSIONS	EACH BOWL	CUTOUT SIZE	PACKAGING*	WEIGHT*
31-1/2" x 17-15/16"	14-1/16" x 15-3/4"	See Template	1/16/20 pcs.	22/380/420 lbs.

\*Standard packaging: Single boxed /Pallet of single boxed/Pallet of bulk pack.  
 All dimensions are in inches. Specifications subject to change without notice.

Project/Job name \_\_\_\_\_

Architect/Engineer \_\_\_\_\_

Contractor \_\_\_\_\_

Model \_\_\_\_\_ Q'ty \_\_\_\_\_

Notes \_\_\_\_\_

**Installation profile**
