

**Chelsea Fireclay Collection**  
**Fire Clay Apron Front Single Bowl**

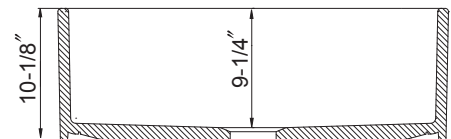
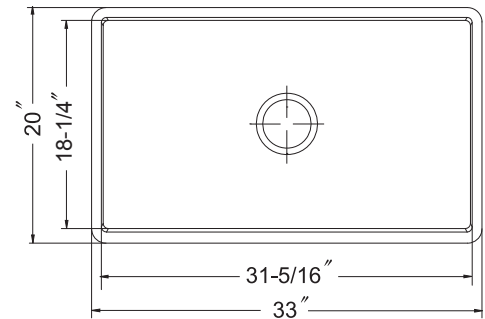
- Model** CHE-3320SA-WH - White  
 CHE-3320SA-BQ - Biscuit  
 CHE-3320SA-MB - Matte Black  
 CHE-3320SA-MG - Matte Gray



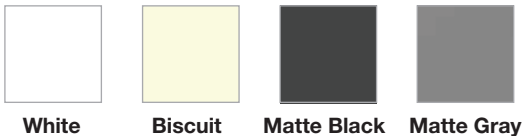
CHE-3320SA

**FEATURES**

- Apron Front Installation
- Non-porous glossy surface
- 9-1/4" depth
- 3-1/2" drain opening
- Chip, crack and scratch resistant
- 4 distinctive colors
- Requires Custom Cabinet
- Supplied with fasteners and instructions
- No cut out template is supplied as each sink dimension will vary due to the nature of fireclay manufacturing process.
- Lifetime Limited Warranty



**OPTIONAL COLORS**



Color variations possible due to printing constraints.

OVERALL DIMENSIONS	EACH BOWL	PACKAGING*	WEIGHT*
33" x 20"	31-5/16" x 18-1/4"	1/10 pcs.	130/1340lbs.

\*Standard packaging: Single boxed /Pallet of single boxed.  
 All dimensions are in inches. Specifications subject to change without notice.

**OPTIONAL ACCESSORIES**

- Bottom Grid: SWG-3118F  
 Strainer : BAS-2000-SS

Project/Job name \_\_\_\_\_

Architect/Engineer \_\_\_\_\_

Contractor \_\_\_\_\_

Model \_\_\_\_\_ Q'ty \_\_\_\_\_

Notes \_\_\_\_\_