

Chelsea Fireclay Collection
Fire Clay Undermount Bar/Prep Sink

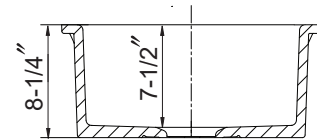
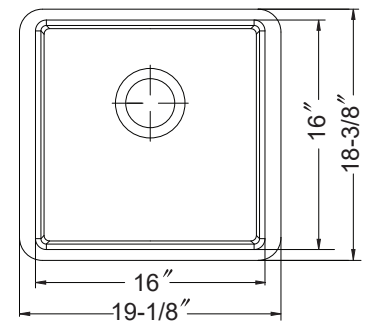
- Model** CHE-1717BU-WH - White
 CHE-1717BU-BQ - Biscuit
 CHE-1717BU-MB - Matte Black
 CHE-1717BU-MG - Matte Gray
 CHE-1717BU-MWH - Matte White
 CHE-1717BU-MZ - Marble White and Gray



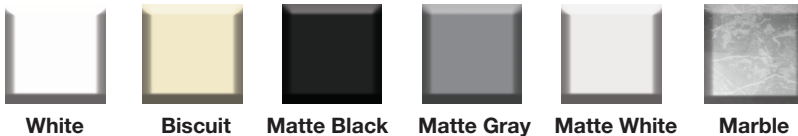
CHE-1717BU

FEATURES

- Non-porous glossy surface
- 7" interior depth
- 3-1/2" drain opening
- Chip, crack and scratch resistant
- Available in 6 colors
- Fits 24" minimum cabinet
- Supplied with fasteners and instructions
- No cut out template is supplied as each sink dimension will vary due to the nature of fireclay manufacturing process.
- Lifetime Limited Warranty



OPTIONAL COLORS



Color variations possible due to printing constraints.

OVERALL DIMENSIONS	EACH BOWL	PACKAGING*	WEIGHT*
19-1/8" x 18-3/8"	16" x 16"	1/12 pcs.	28/376lbs.

*Standard packaging: Single boxed /Pallet of single boxed.
 All dimensions are in inches. Specifications subject to change without notice.

OPTIONAL ACCESSORIES

- Bottom Grid: SWG-1616F
 Strainer : BAS-2000-SS

Project/Job name _____

Architect/Engineer _____

Contractor _____

Model _____ Q'ty _____

Notes _____