

## Breckenridge Copper

Hand-Hammered Copper and Pewter Sinks

### Buena Vista Lavatory Sink

**Model** **BUV-17FL-AC**  
**BUV-17FL-PW**  
**BUV-17SR-AC**  
**BUV-17SR-PW**

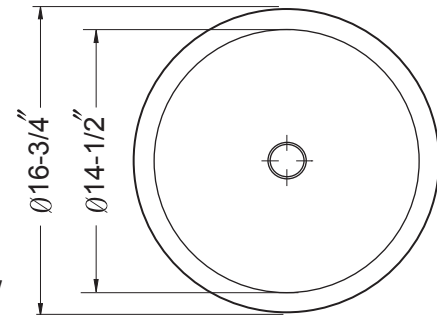


#### FEATURES

- Large round lavatory sink
- 16-3/4" OD
- 7" depth
- 1-1/2" drain opening

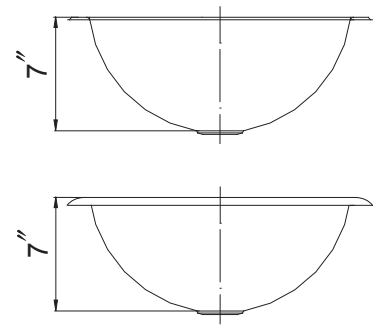
#### Model information

- **BUV-17FL-AC** Large Round Sink/Flat Lip, Antique copper w/ overflow
- **BUV-17FL-PW** Large Round Sink/Flat Lip, Lustrous pewter w/ overflow
- **BUV-17SR-AC** Large Round Sink/Self Rimming, Antique copper w/ overflow
- **BUV-17SR-PW** Large Round Sink/Self Rimming, Lustrous pewter w/ overflow



#### Installation information

Your Hammerwerks® Hand-Hammered Copper sink is individually hand-crafted and not the product of assembly-line specifications. Every sink is unique and therefore a variance of approximately 1/4" in dimensions is usual. We recommend receiving your specific sink and measuring before cutting your countertop to ensure proper fit.



OVERALL DIMENSIONS	EACH BOWL	CUTOUT SIZE	PACKAGING*	WEIGHT*
Ø16-3/4"	Ø14-1/2"	See Template	1/16 pcs.	10/200 lbs.

\*Standard packaging: Single boxed /Pallet of single boxed.

All dimensions are in inches. Specifications subject to change without notice.

Project/Job name \_\_\_\_\_

Architect/Engineer \_\_\_\_\_

Contractor \_\_\_\_\_

Model \_\_\_\_\_ Q'ty \_\_\_\_\_

Notes \_\_\_\_\_