

Breckenridge Copper

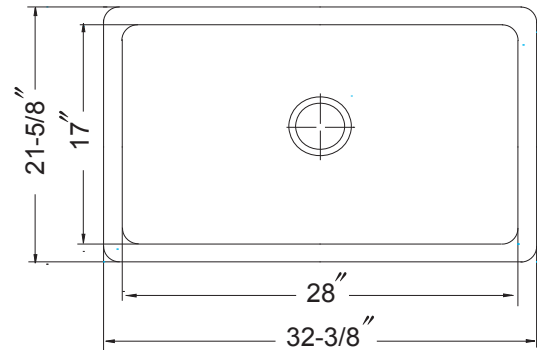
Hand-Hammered Copper and Pewter Sinks

Copper Kutchen Hammered Copper Apron Front / Farmhouse Single Bowl Model BRE-3322SA-AC



FEATURES

- Timeless design that will last for generations
- 32-3/8" x 21-5/8" overall
- 28" x 17" x 9" depth compartment
- 3-1/2" drain opening
- Antique copper finish
- Requires custom base cabinet



Installation information

Your Hammerwerks® Hand-Hammered Copper sink is individually hand-crafted and not the product of assembly-line specifications. Every sink is unique and therefore a variance of approximately 1/4" in dimensions is usual. We recommend receiving your specific sink and measuring before cutting your countertop to ensure proper fit.

OVERALL DIMENSIONS	EACH BOWL	CUTOUT SIZE	PACKAGING*	WEIGHT*
32-3/8" x 21-5/8"	28" x 17"	See Template	1/12 pcs.	40/520 lbs.

*Standard packaging: Single boxed /Pallet of single boxed.

All dimensions are in inches. Specifications subject to change without notice.

Project/Job name _____

Architect/Engineer _____

Contractor _____

Model _____ Q'ty _____

Notes _____