

## Breckenridge Copper

Hand-Hammered Copper and Pewter Sinks

### Small Bar/Prep Sink

**Model BRE-1313B5-AB**  
**BRE-1313B5-PW**

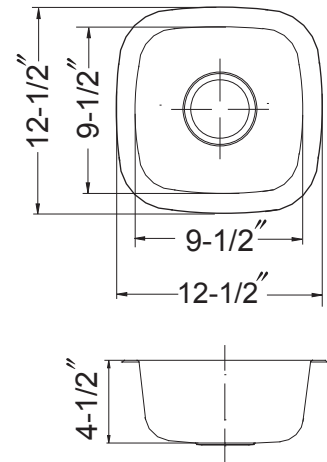


#### FEATURES

- Rich, artistic look hand-hammered bar/prep sink
- 12-1/2" x 12-1/2" overall
- 4-1/2" depth
- 3-1/2" drain opening
- Fits 18" cabinet

#### Model information

- **BRE-1313B5-AB** Bar-Prep Sink/ Flat Lip, Antique copper
- **BRE-1313B5-PW** Bar-Prep Sink/ Flat Lip, Lustrous pewter



#### Installation information

Your Hammerwerks® Hand-Hammered Copper sink is individually hand-crafted and not the product of assembly-line specifications. Every sink is unique and therefore a variance of approximately 1/4" in dimensions is usual. We recommend receiving your specific sink and measuring before cutting your countertop to ensure proper fit.

OVERALL DIMENSIONS	EACH BOWL	CUTOUT SIZE	PACKAGING*	WEIGHT*
12-1/2" x 12-1/2"	9-1/2" x 9-1/2"	See Template	1/16 pcs.	8/170 lbs.

\*Standard packaging: Single boxed /Pallet of single boxed.

All dimensions are in inches. Specifications subject to change without notice.

Project/Job name \_\_\_\_\_

Architect/Engineer \_\_\_\_\_

Contractor \_\_\_\_\_

Model \_\_\_\_\_ Q'ty \_\_\_\_\_

Notes \_\_\_\_\_