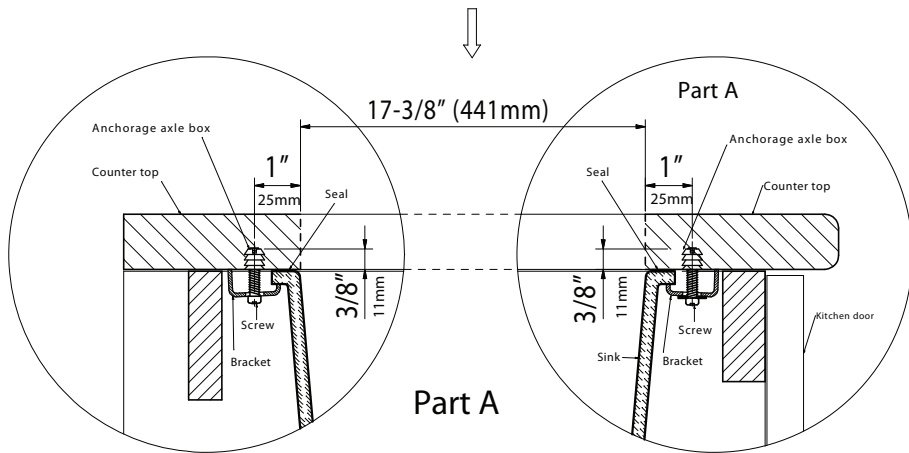
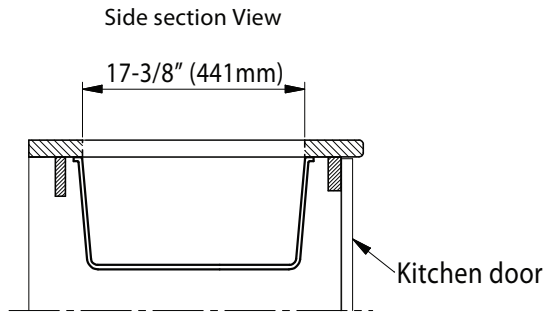


## Undermount Installation - SIO-3319SU

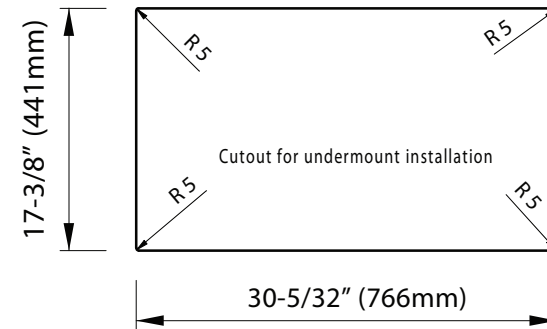
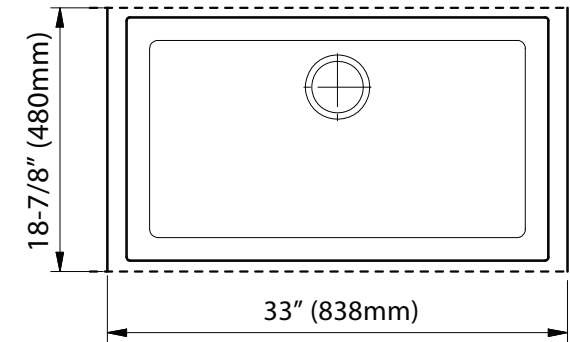


SIDE SECTION VIEW DETAILS

Fasten the 2 mounting brackets with the screws

Fasten the 2 mounting brackets with the screws

## UNDERMOUNT WITH MOUNTING BRACKET AND SCREWS (Part A)



## Undermounting hardware

10 X

Anchorage axle box

10 X

Undermount bracket

10 X

Screw

10 X

Washer

---

## Care and Maintenance

- Avoid placing pots, pans or other hot objects in excess 550°F on the surface of the sink (CAUTION! The bottom of a pot or pan just removed from the burner can reach temperature of over 100°F). Pots, pans and other hot objects must be placed on appropriate potholders (made of wood, rubber, etc...).
- Do not use the sink as a cutting surface: rather, use a separate cutting board which can be purchased together with the sink. Heavy or pointed objects that fall on the surface of the sink can damage it.
- Do not use chemical detergents, abrasive substances or metal cleaning pads to clean the sink because they scratch the surface, making it susceptible to stains. Do not pour alcohol, gasoline, trichloroacetic acid or any solvents in general into or onto the sink because they could react with the chemical structure of the sink.

## Instructions on how to clean the sink

- Clean the sink regularly using a soft cloth with warm water and if necessary, a non-abrasive dishwashing detergent.
- Cleaning powders and creams which are abrasive should not be used, nor chemically aggressive detergents.
- Marks caused by foods or liquid which stain easily, i.e. tea, coffee, fruit juice and the like, must be removed immediately with very hot water and a non-abrasive cleaning product.
- Special stains, such as those caused by ink or paint must be removed immediately with denatured alcohol.
- For organic stains, it is recommended that you fill the sink with a highly diluted organic cleaner such as bleach and let stand overnight. The next morning, rinse with warm water and a soft cloth.
- Daily use will result in lime buildup, especially on the bottom of the sink, which will progressively increase in thickness. This layer of lime buildup is very porous and easily stained. The formation of lime buildup must be prevented by removing any buildup at least twice a week.
- To remove lime buildup (which is very visible on the sinks which are dark in color), it is recommended that the following procedure be followed:
  - Cover the bottom of the sink with a solution of normal vinegar and water (or a product specifically designed to fight lime buildup) and let stand for a few hours.
  - Then, rub the bottom of the sink vigorously with a sponge until the lime, dirt and stains have been removed.
  - Rinse thoroughly with water.