

Installation instructions for Copper Farmhouse Sink

General Recommendations:

Please read installation and maintenance instructions thoroughly.
Inspect your sink for any noticeable damage before installation.
Check all local applicable plumbing and building codes.

These instructions are based on application to composite material or solid surface countertop installation only; countertop application to stone, marble, granite or butcher-block should be referred to an experienced countertop fabricator for custom installation.

Copper Farmhouse sinks are individually hand-crafted and HamatUSA suggests using experienced and professional installers only. For custom cutting of countertop and installation of the actual sink, on-site installation is also recommended. Acceptable variances are approximately 1/8 of an inch. Alignment to the cut-out and precise application and trimming of any adhesive sealant are critical to a superior fit and finished look. Please take extra care in this regard.

Copper Farmhouse sinks require custom order cabinets. Consult your cabinet dealer.

HamatUSA does not accept any liability for damage to countertop, sink fixture, faucets or personal injury during installation. Warranty is void if installation instructions are not followed.

Tools and Materials needed:

Tape Measure	Framing Square	Eye Protection
Hacksaw/Jigsaw	Ear Protection	Silicone Adhesive Sealant
Rags	Shims	Wood Braces
Pencil (NOT ink)	Denatured Alcohol	

Be sure to use proper tools and always wear personal safety devices for your protection.

Installation Options:

Copper Farmhouse sinks offer installation options depending on your design.

Undermount Installation

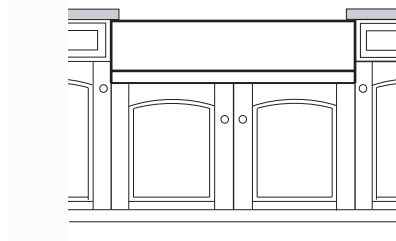


Figure 1

Flush mount Installation

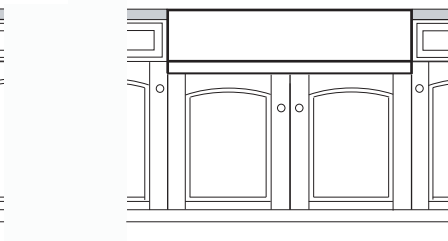


Figure 2

Built-up Installation



Figure 3

Caution: All installation types need to allow room for faucet installation. Ensure adequate clearance behind the sink for any faucet and backsplash, as well as full range of motion for faucet spouts and handles.

Typical undermount installation with 1/4" reveal recommended.

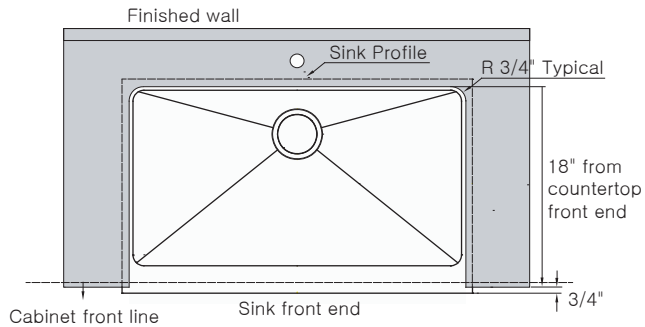


Figure 4

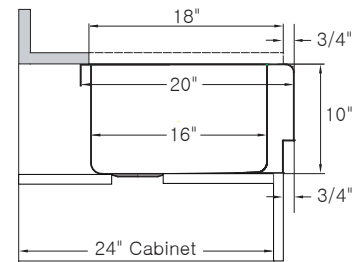


Figure 5

Typical flush mount and built-up installation

Built-up installation may expose sink sides to be raised up to 1" above the countertop.

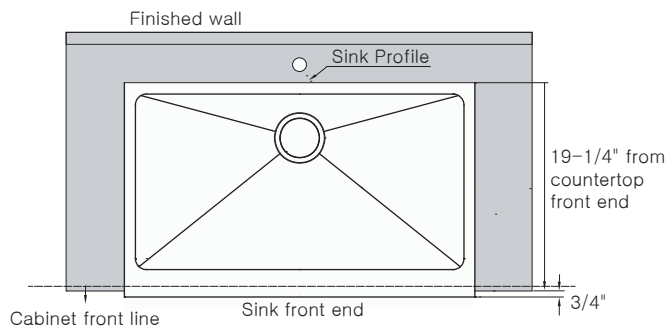


Figure 6

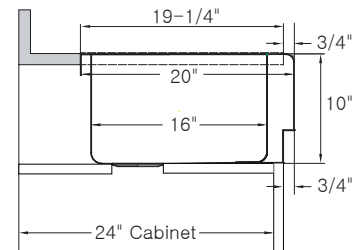


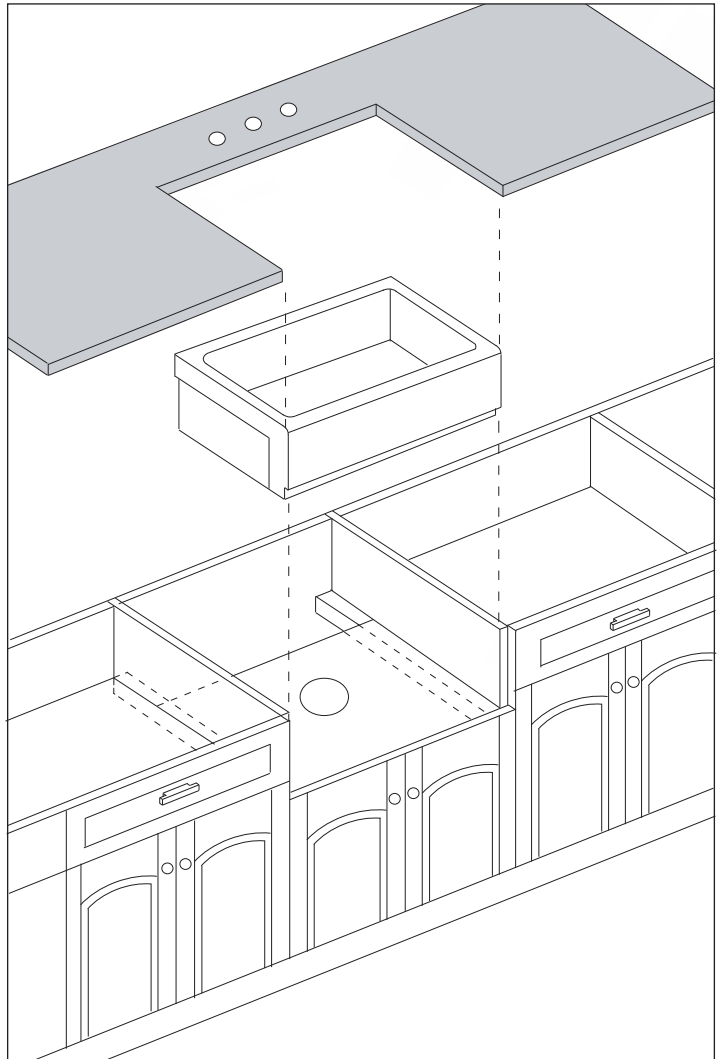
Figure 7

1. Prepare the Sink Base Cabinet

Farmhouse sinks require custom order sink base cabinets with a front cutout to accommodate a 10" deep sink. Build a plywood platform on a support frame inside of the sink base cabinet. Platform must support the weight of the sink and any attachments such as garbage disposals. When the sink is placed onto a platform, make sure the top of the sink is evenly flush against the bottom of the countertop. Allow clearance for water supply line and drains or garbage disposal, as necessary.

2. Make a Template and Cutout

Depending on the installation option, make proper cutout of the countertop. HamatUSA recommends a 1/4" reveal on 3 sides when installed undermount style. For a flush mount or built up installation, cut countertop along with outside line of the sink profile. Front end of Farmhouse sinks are designed to be installed 3/4" extended out beyond the front end of the countertop. Cut countertop accordingly. No template is provided due to the custom nature of each application and installation. The actual sink is used as the template guide for each installation. After centering the sink and allowing for any faucets and backsplashes, use a pencil to outline the sink as your guide for the cutout, allowing for any reveal before the actual cutting.



3. Set the Sink

Set the sink on top of the cabinet or into the cabinet front cutout. Apply sealant if necessary as a gasket between the sink and cabinet.

4. Install the Countertop

Carefully clean bottom of countertop and top flange of sink with denatured alcohol. Apply bead of silicone adhesive (not supplied) around the top edge of the sink. Place countertop onto the sink. Remove excess sealant from the lip or any surfaces with a cleaner recommended by manufacturer of adhesive sealant.

Care and Maintenance

Hammerwerks Copper & Pewter products have a “living finish” , meaning they will oxidize and develop a beautiful patina of varying hues over time and usage.

Here are some guidelines to help keep your Hammerwerks products clean & healthy.

- Regularly clean with mild soap and water using a soft cloth or sponge
- When not in use, keep fixture clean and dry and free of soap residue or water spots
- Do not use abrasive cleaners or cloths
- Do not use caustic drain openers
- Flitz-brand Faucet & Fixture Wax may be used periodically for an extra layer of protection.

Lifetime Limited Warranty

HamatUSA copper sinks are produced to the highest manufacturing standards and are covered by a limited lifetime warranty that protects the original purchaser against any defects in materials and workmanship under normal use. If upon determination by HamatUSA that the sink is defective, HamatUSA will replace without charge, with an equivalent sink or refund, will be sent to the original purchaser that it has been used in a residential application and installed, used and maintained according to the instructions supplied with the sink, and not damaged due to abuse, misuse or negligence. This warranty will not cover any labor charges incurred in installation, removal, replacement or repair, transportation cost or any consequential damages, which might be caused by the product. HamatUSA shall not be liable in case of ;

- Improper installation or modification of original product
- Damages resulting from abuse, such as scratches by dropping heavy objects into the sink
- Scratches resulting from scrubbing with steel wool, abrasive pads or cleaners
- Improper application such as exposure to corrosive chemicals, or photographic solutions
- Any commercial application

If the original purchaser finds a defect in material or workmanship, please contact warranty Service, contact HamatUSA at info@hamatusa.com or 1-833-334-2628. Please include proof of purchase or sales receipt. The law in some states may expand or modify this warranty. This warranty supersedes all other warranties, expressed or implied.