

## THANK YOU...

Thank you for purchasing the P.T.Rail™ Plywood Wall Plate. We are confident that you will find the unique design and durable construction of this product to be of great assistance in your daily routine.

To fully enjoy your P.T.Rail™ Plywood Wall Plate, please take a few moments to read these instructions. You should store these instructions in a safe place for future reference.

## SAFETY CONSIDERATIONS

**CAUTION:** It is your responsibility to see that your P.T.Rail™ Plywood Wall Plate is properly assembled, installed, and cared for. Failure to follow instructions in this manual could result in serious injury.

### P.T.RAIL™ PLYWOOD WALL PLATE INSTALLATION

The P.T.Rail™ Plywood Wall Plate should only be installed in areas where the mounting surface is structurally sound. Strengthening modifications may be required. Plywood wall plate must also extend over the wood studs (behind the wall) for proper installation. Plywood wall plate has 2 sets of pre-drilled holes for mounting convenience. The plate can be reversed to accommodate installations on the opposite side of the toilet (see reverse side). Wall plate can be painted to match any decor - recommended to prime board prior to painting / installation. If you are not equipped to undertake the outlined work, we recommend that you have your P.T.Rail™ installed by a qualified contractor. Suggested maximum user weight 400lbs/181kg, however this rating is conditional upon suitable fasteners and supporting surface.

### FASTENERS

The P.T.Rail™ Plywood Wall Plate must be secured to the wall with fasteners appropriate to the structural material. Fasteners must be rated for certain retention force each for maximum weight capacity (see within for recommendations). Inspect, or have inspected (and tighten if necessary) the screws on a monthly basis. **NOTE:** Due to variances in needs, materials and local construction methods, you should consult the appropriate local professionals for best advice.

### WARRANTY

All HealthCraft™ Products are covered by a one year limited warranty with the exception of hand grips which are subject to normal wear. Buyer hereby indemnifies, agrees to hold harmless and defend HealthCraft™ Products Inc. from and against any and all liabilities, claims, (founded and unfounded), losses, damages, costs and expenses (including without limitation consequential damages and reasonable professional fees) resulting from buyers specification, application, or improper use of goods described hereon; buyers omission or neglect.

HealthCraft™ Products Inc. does not assume any liability for damage resulting from services performed by others or faulty installation, misuse or misapplication of goods sold by HealthCraft™ Products Inc.

HealthCraft™ Products Inc. shall not be liable for prospective profits or special, indirect, or consequential damages, or for the cost of any corrective work done without HealthCraft™ Products Inc. prior approval. HealthCraft™ Products Inc. total liability hereunder shall in no event exceed the purchase price of the goods specified hereon.

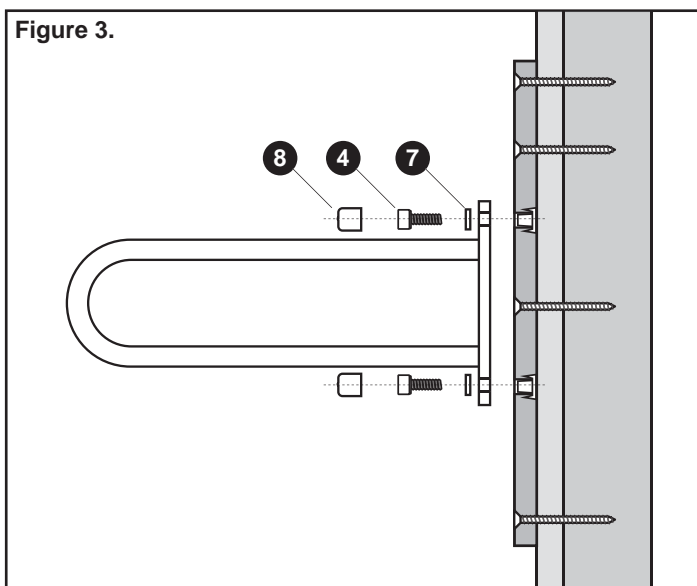
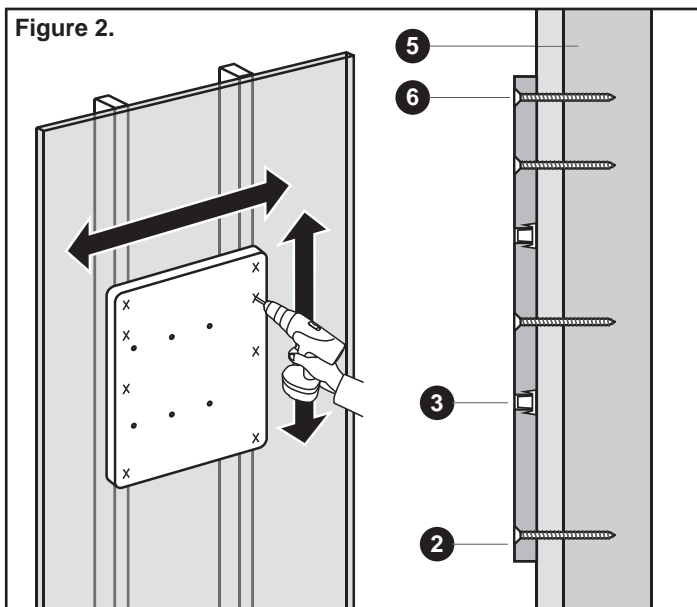
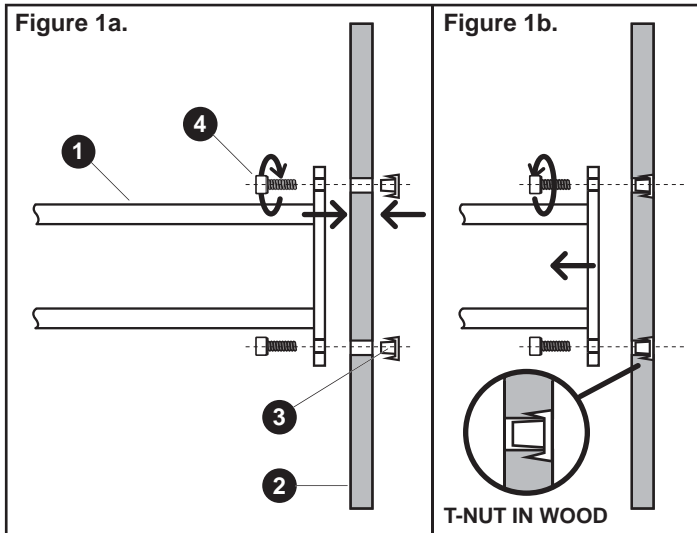
## INSTALLATION INSTRUCTIONS

1. First read P.T. Rail™ instructions to determine the desired location beside the toilet (side to side position, distance from wall, etc). Consider possible interference when rail is in both folded up and lowered positions.

2. Fasten rail (1) on the wall plate (2) using supplied T-nuts (3) and 3/8" bolts (4) as shown in **Figure 1a**. Ensure the T-nuts are pulled tight into the wood on the back of the wall plate. Once the T-nuts are secured, remove the rail from the wall plate as shown in **Figure 1b**.

3. Fasten the Plywood Wall Plate to the wood studs (5) using appropriate fasteners (6) in 4 locations on each stud as shown in **Figure 2**.

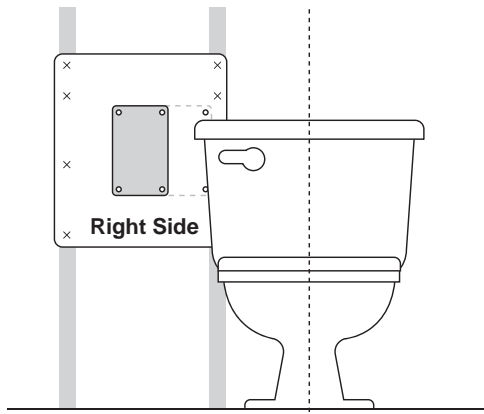
4. Install the P.T. Rail™ using supplied 3/8" bolts (4) and washers (7) as shown in **Figure 3**. Test the P.T. Rail™ for suitable rigidity. Push plastic covers (8) on after bolts are tightened.



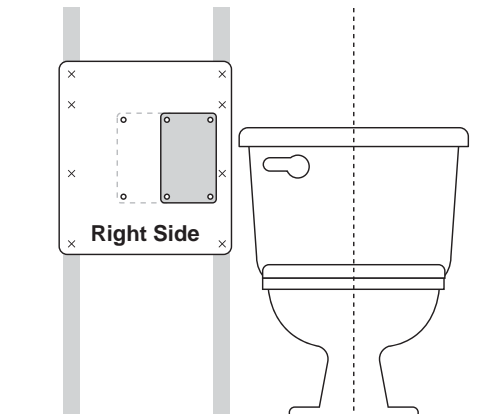
## PLYWOOD WALL PLATE PLACEMENT

Plywood wall plate must extend over the wood studs (behind the wall) for proper installation. Plywood wall plate has 2 sets of pre-drilled holes for mounting convenience (see below for common placement options), depending on location of toilet in relation to wood studs (see Figures 4.1-4.3). The plate can be reversed to accommodate installations on the opposite side of the toilet (see Figure 4.4). If required, extra holes can be drilled into the plywood to accommodate specific needs. Use P.T.Rail™ as drilling guide. NOTE: All extra holes must be at least 1.5" / 3.8cm from all edges.

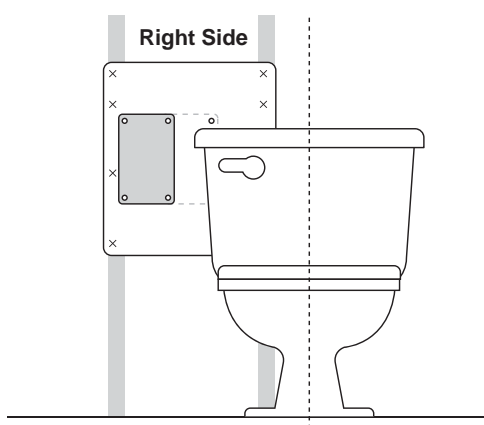
**FIGURE 4.1**



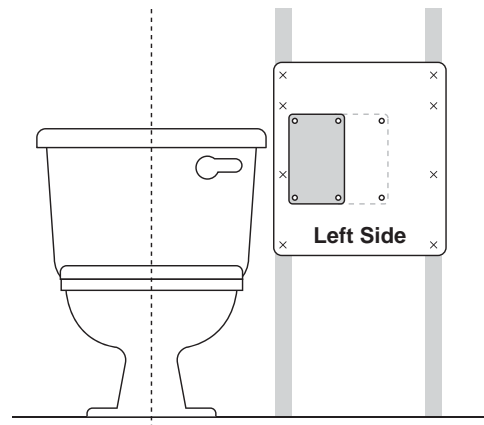
**FIGURE 4.2**



**FIGURE 4.3**



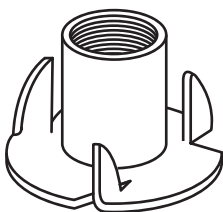
**FIGURE 4.4**



### HARDWARE

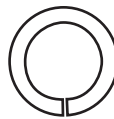
**HW435**  
T-nut, 3/8-16 x 7/16, 3 Prong

**x4**



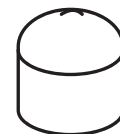
**HW402**  
Hi Collar Lock Washer,  
3/8", 18-8 S/S

**x4**



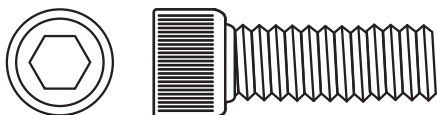
**HW513**  
White Vinyl Cap

**x4**



**HW401**  
Screw, SHCS, 3/8-16 x 1",  
18-8 S/S

**x4**



**HW317**  
Hex Key, 5/16", Short Arm

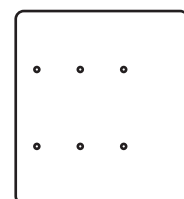
**x1**



\*not to scale

**WR169**  
Wood Wall Plate  
19 x 23.75"

**x1**



\*not to scale