



Contour Seat – 18"

Comfort & Security – Teakwood & Walnut Shower Seats
 With durable stainless steel frames

HH – Series

Contour
 Shower Seat
 18"

Application Use:

Architectural

Commercial

Institutional

Residential

Specifications

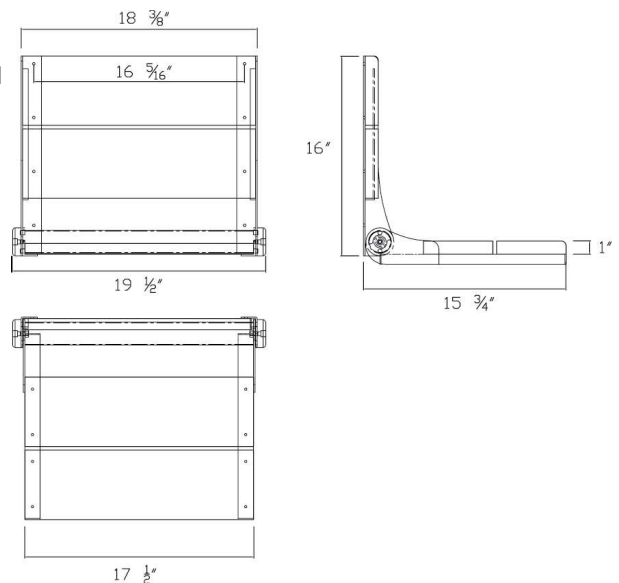
The contour shower seat is manufactured using high quality 12 gauge, type 304 stainless steel. The all stainless steel barrel of the seat allows the bottom to fold up and sit flat against the wall when not in use ($2\frac{7}{8}$ " projection when closed). 1" thick teak or walnut wood slats are durable and easy to keep clean. The two upper slats are removable to access the 8 wall mounting screw ports ($2\frac{1}{2}$ " stainless screws included). The installation of the contour seat is simple, easy, and quick. It is imperative when installing a shower seat to consult with a qualified contractor to insure you have the sufficient backing to support the seat.



The Bilanx Bathing Collection

The contour shower seats are designed and tested to exceed 500lbs and come in both 18" and 26" wide versions.

HH-TK18PS	Teak Slats, Polished Stainless Frame
HH-WAL18PS	Walnut Slats, Polished Stainless Frame
HH-TK18BS	Teak Slats, Brushed Stainless Frame
HH-WAL18BS	Walnut Slats, Brushed Stainless Frame
HH-TK18ORB	Teak Slats, Oil Rubbed Bronze Frame
HH-WAL18ORB	Walnut Slats, Oil Rubbed Bronze Frame



Dimension tolerances +/- 3/16"