

**BRACELET HOLDER**  
**300.5605.MAL**

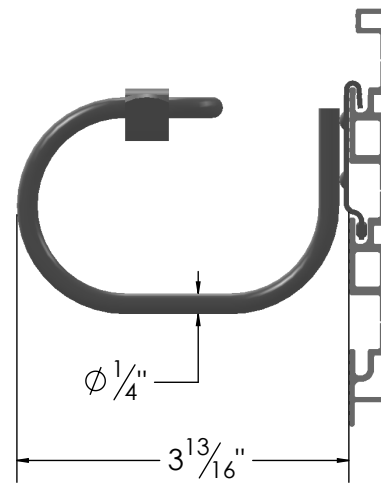
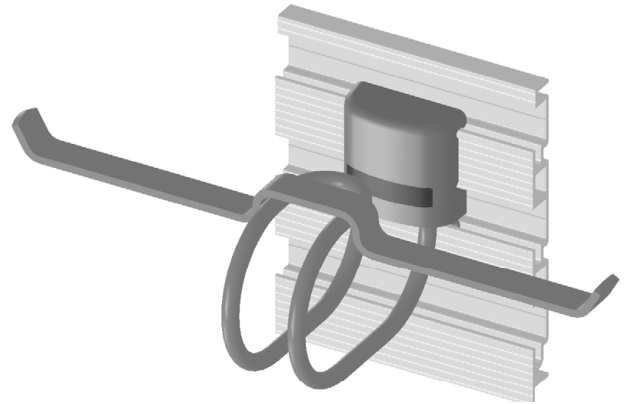
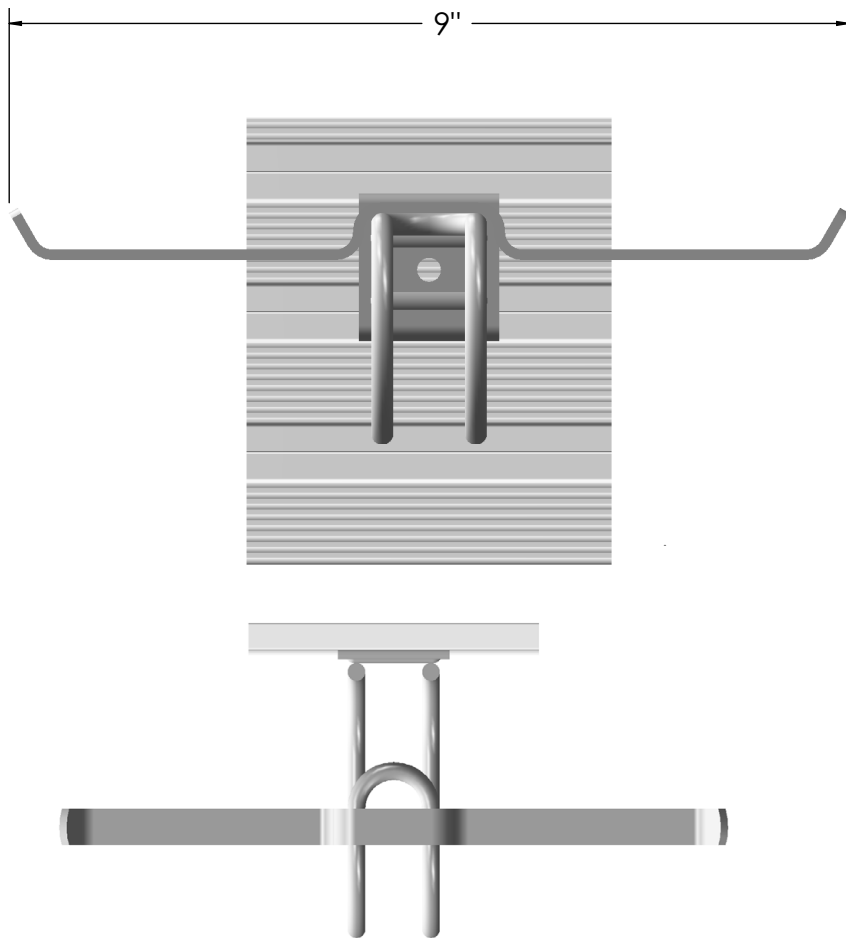
**DESCRIPTION & SPECIFICATIONS**

The right bracelet can add that finishing touch to a nearly perfect outfit. Keep your bracelets, necklaces and more neatly stored with the Bracelet Holder.

SIZE & CAPACITY | Light Duty

AVAILABLE FINISHES | 

Matte Aluminum.



**INSTRUCTIONS & SPECIFICATIONS**

- STEP 1: Install hook onto the track panel at the desired height.
- STEP 2: Snap a cover cap 300.5230 onto the hook. It is still possible to slide the hook horizontally with the cover cap snapped on.
- STEP 3: To remove the cover cap put your finger behind one of the side tabs and pull firmly.
- One Cover Cap 300.5230 required and must be ordered separately.

FINISH	CODE (FIN)
MATTE ALUMINUM	MAL

SUGGESTED USES	
BANGLES	BRACELETS

- Hooks & accessories are only intended to be mounted to the track